

VITRINEMEDIA

Technical catalogue

SEPTEMBER 2020



CONTENT

1. VITRINEMEDIA LED DISPLAYS

- 1.1. GENERALITIES
- 1.2. SOLUTIONS AND BENEFITS
- 1.3. COMPATIBILITIES AND BENEFITS

2. DOUBLE SIDED LED DISPLAYS

- 2.1. VM TWO - VM TWO PANORAMIC BANNER
- 2.2. VM SIGN - VM TWO DIAMOND
- 2.3. VM ONE HYBRID - VM ONE BANNER

3. SINGLE SIDED LED DISPLAYS

- 3.3. VM TWO CLIP
- 3.4. VM SUPERLIGHT
- 3.5. VM WALL FORMAT

4. LED DISPLAYS LOGISTIC DATA

- 4.1. DIMENSIONS AND QUANTITIES

5. BACKLIGHT & PRINTING

- 5.2. TRANSPARENT SHEETS
- 5.3. REFLECTIVE PAPER
- 5.4. PREMIUM
- 5.5. 100G
- 5.6. 125G
- 5.7. 180G
- 5.8. PRINTERS

6. LED DISPLAYS INSTALLATION

- 6.2. CUMULATED POWER CONSUMPTION
- 6.3. CUMULATED WEIGHT
- 6.4. PREREQUISITE FOR INSTALLATION
- 6.5. INSTALLATION

7. POWER SUPPLY RANGE

- 7.2. VM POWER CORDS
- 7.3. VM POWER SUPPLY 40/60/90W
- 7.4. VM PS SET 150W / 320W
- 7.5. VM POWER BOX 150W/350W
- 7.6. VM SAFETY BOX 150W / 320W
- 7.7. XPR CORD / POWER ADAPTER
- 7.8. VM Y LINKING CABLE
- 7.9. VM TIMER
- 7.10. VM POWER BANK

8. WINDOW SOLUTIONS

- 8.1. SOLUTIONS AND BENEFITS
- 8.2. X POWER RAIL
- 8.3. XPR CEILING FIXTURE SET
- 8.4. VM START NOW
- 8.5. VM TRACK TRANSFORMER
- 8.6. ACCESSORIES
 - VM TWO TILTED SET
 - XPR GROUND FIXTURE SET
 - PAIR OF CABLES
 - PAIR OF CABLES ADJUSTABLE
 - VM TWO SECURE SET

9. STAND ALONE SOLUTIONS

- 9.1. SOLUTIONS AND BENEFITS
- 9.2. VM MOBILE STAND EASY CLIP
- 9.3. VM BOX PREMIUM
- 9.4. VM STAND A0 V - 120X80 V
- 9.5. VM SUPERLIGHT KIOSK
- 9.6. VM SUPERLIGHT SINGLE
- 9.7. VM SUPERLIGHT STAND

10. WALL SOLUTIONS

- 10.1. SOLUTIONS AND BENEFITS
- 10.2. VM TWO FIXTURE SET WITH VM TWO
- 10.3. VM WALL WITH VM TWO CLIP
- 10.4. VM WALL FORMAT

11. DOCK SOLUTIONS

- 11.1. SOLUTIONS AND BENEFITS
- 11.2. VM SINGLE
- 11.3. VM TWO DOCK
- 11.4. LIGHT&PLAY DOCK

12. ACCESSORIES SOLUTIONS

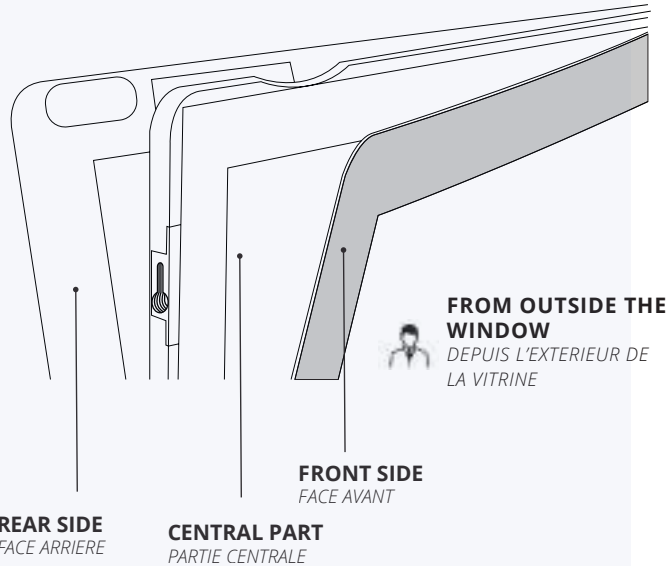
- 12.1. VM CONNECTORS
- 12.2. VM DEMO CASE
- 12.3. VM CLEANING KIT
- 12.4. VM DEMO STAND
- 12.5. VM SHOWCASE

VITRINEMEDIA LED DISPLAYS

GENERALITIES

GENERAL OVERVIEW

FROM INSIDE THE AGENCY
DEPUIS L'INTERIEUR DE L'AGENCE



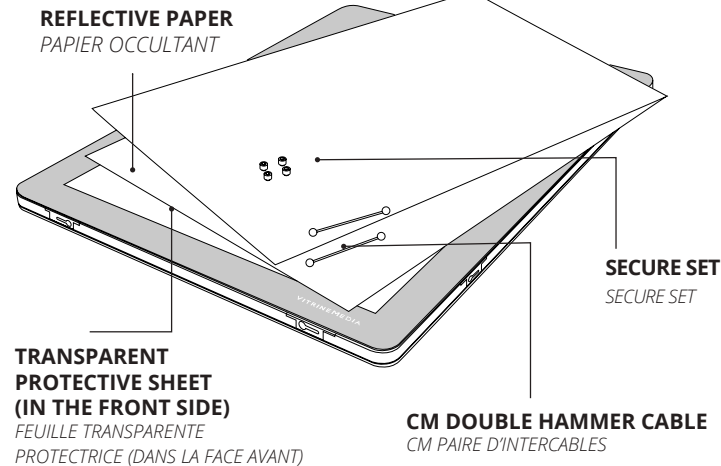
FROM OUTSIDE THE WINDOW
DEPUIS L'EXTERIEUR DE LA VITRINE

VITRINEMEDIA displays are double-sided and made of three elements.
Les porte-affiches VITRINEMEDIA sont doubles faces et composés de trois éléments.

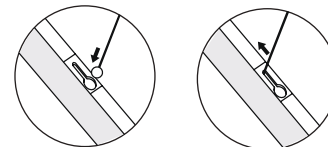
- Front side can be black, silver or chrome.
- Back side can be black or white.
- The central part is thicker and contains the display's lighting components.
- *Une face avant qui peut être noir, argent ou chrome*
- *Une face arrière qui peut être noire ou blanche*
- *Une partie centrale plus épaisse et qui contient les composants d'éclairage*



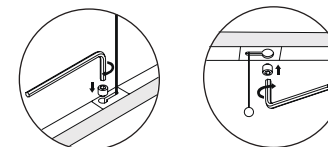
CONTENT
CONTENU



- On the rear side, a reflective paper is used to optimize front panel brightness. It needs to be removed to illuminate both sides at the same time.
- *En face arrière, les afficheurs sont livrés avec une feuille occultante afin d'optimiser la luminosité de la face avant. Il doit être retiré si vous souhaitez éclairer les deux côtés.*
- A pair of double hammer cables is provided with each display, to connect them to one another.
- *Une paire d'intercâbles est fournie avec chaque afficheur, pour relier les écrans les uns aux autres.*

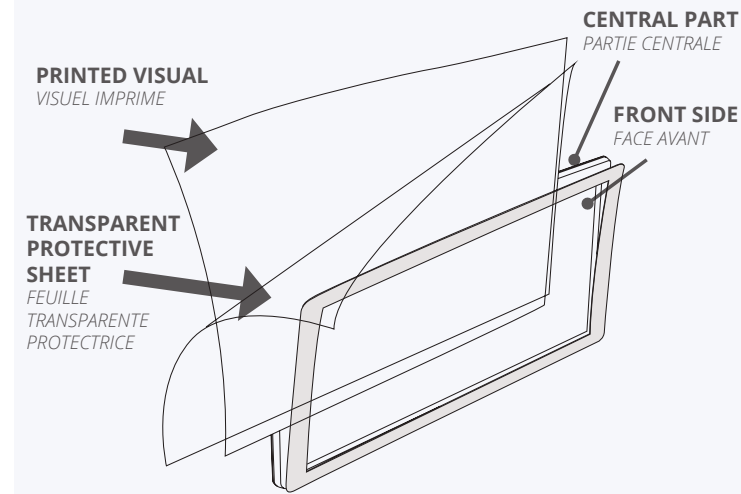
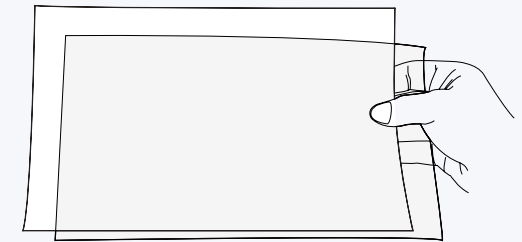


- For all large format displays, an Allen key and screws are provided to secure fixings.
- *Pour tous les écrans grands formats, une clé Allen et des vis sont fournies pour sécuriser les fixations.*



In the front side, the displays are delivered with a transparent protective sheet which must be inserted between the printed visual and the front side. If you print on backlight 125g, this transparent protective sheet must be inserted between the printed visual and the central part.

En face avant, les afficheurs sont livrés avec une feuille transparente protectrice qui doit obligatoirement être insérée entre votre visuel imprimé et la face avant de l'appareil. Si vous imprimez du contenu sur une feuille backlight 125 g, alors cette feuille transparente doit être insérée entre votre visuel et la partie centrale de l'écran.



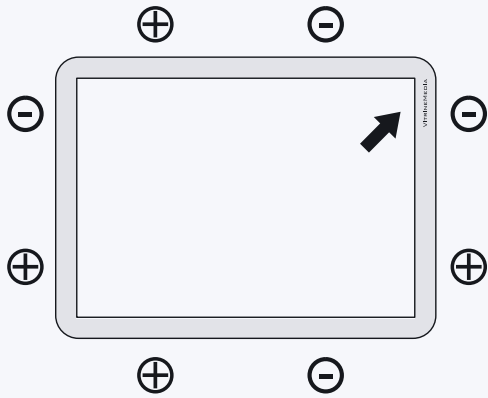
FROM OUTSIDE THE WINDOW
DEPUIS L'EXTERIEUR DE LA VITRINE

POLARITY

POLARITE



FROM OUTSIDE THE WINDOW
DEPUIS L'EXTERIEUR DE LA VITRINE



- Illustrated polarity position is standard on all the displays.
- *La polarité illustrée est standard sur tous les porte-affiches.*

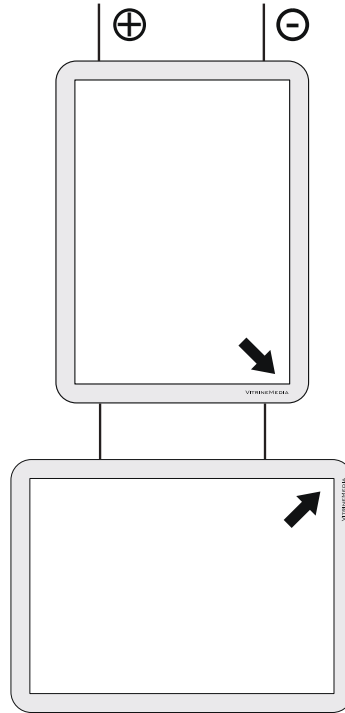
ORIENTATION

ORIENTATION



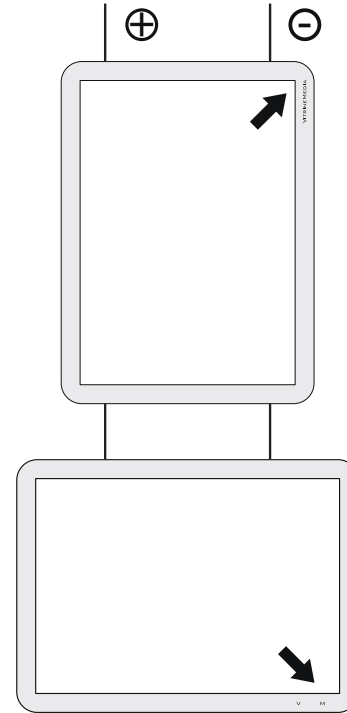
FROM OUTSIDE THE WINDOW
DEPUIS L'EXTERIEUR DE LA VITRINE

FRONT SIDE
FACE AVANT



FROM INSIDE THE AGENCY
DEPUIS L'INTERIEUR DE L'AGENCE

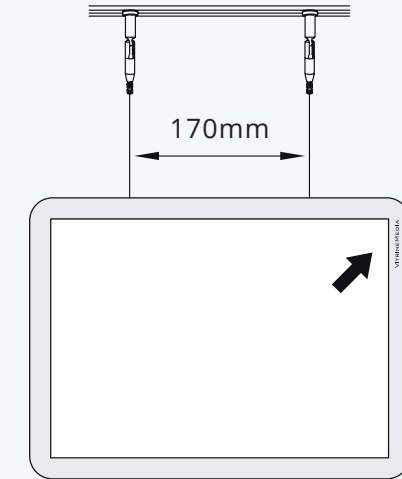
REAR SIDE
FACE ARRIERE



- On the front side, the VITRINEMEDIA logo is in the upper right-hand corner when used horizontally. In vertical use, it is located in the lower right-hand corner.
- *Sur la face avant, le logo VITRINEMEDIA se trouve dans le coin supérieur droit en utilisation horizontale. En utilisation verticale, il se trouve dans le coin inférieur droit.*
- On the rear side, the VITRINEMEDIA logo is in the lower right-hand corner when used horizontally. When used vertically, it is located in the upper right-hand corner.
- *Sur la face arrière, le logo VITRINEMEDIA se trouve dans le coin inférieur droit en utilisation horizontale. En utilisation verticale, il se trouve dans le coin supérieur droit.*

DISTANCE BETWEEN THE CABLES

DISTANCE ENTRE LES CABLES



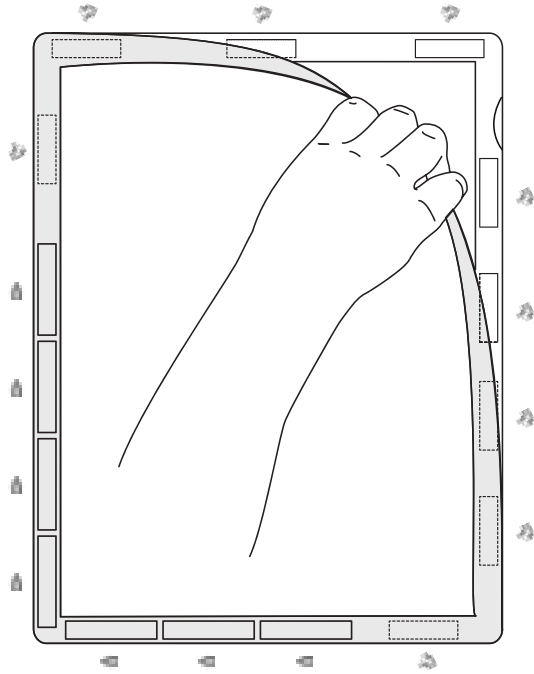
- 170 mm distance between cables is a standard distance on all the displays.
- This standard enables to mix all sizes and orientations.
- *170 mm est la distance entre standard entre les câbles sur tous les porte-affiches.*
- *Ce standard permet de mixer les formats et orientation sur la même colonne.*

PRODUCT LABELLING


LABELLING PRODUIT



ASSEMBLY OF THE DISPLAY
ASSEMBLAGE DU PORTE-AFFICHE



Front and back sides are :
Les faces avant et arrière sont :

 Pasted on 1/3 of their contour
Colées sur 1/3 de leur contour

 Magnetized on other 2/3
Aimantées sur les autres 2/3

FINGER GROOVE
PASSE DOIGT

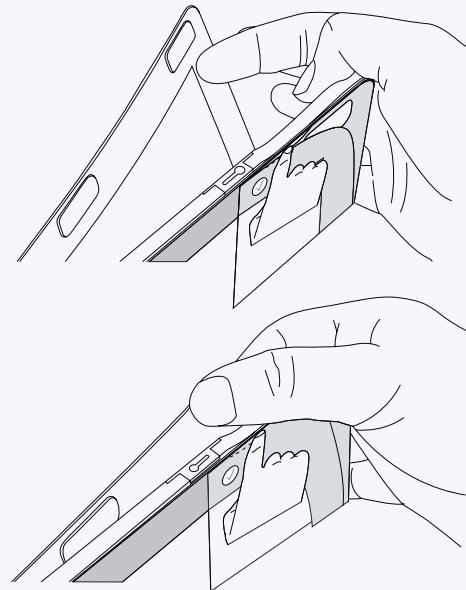


INSERTION OF THE PRINTED VISUAL
INSERTION DU VISUEL IMPRIME

Printed visuals can be inserted into the compartments on both sides.
Des visuels imprimés peuvent être insérés dans les compartiments des deux côtés.

 **FROM OUTSIDE THE WINDOW**
DEPUIS L'EXTERIEUR DE LA VITRINE

FRONT SIDE
FACE AVANT

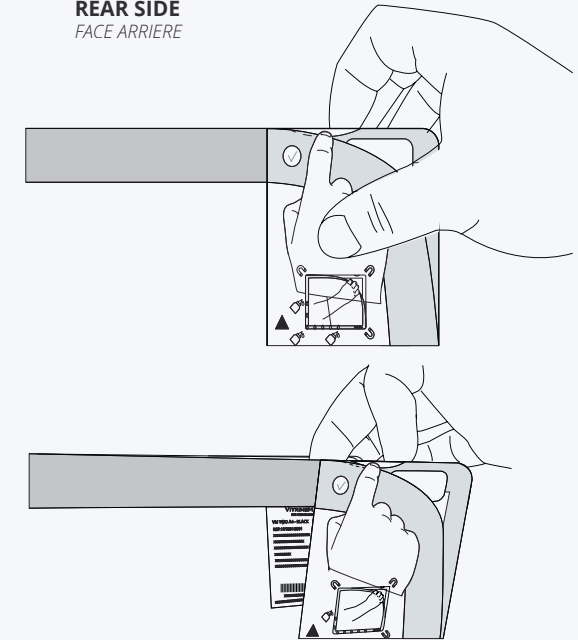


Slide your index finger over the finger groove on the central part's edge, and pull the magnetic rear side
Glissez votre index sur le passe-doigt présent sur la tranche de la partie centrale, et tirez légèrement la face arrière.

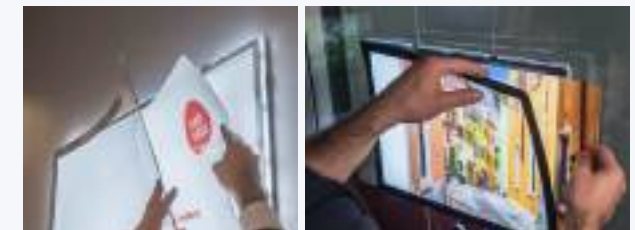


 **FROM INSIDE THE AGENCY**
DEPUIS L'INTERIEUR DE L'AGENCE

REAR SIDE
FACE ARRIERE



Slide your thumb over the finger groove, and slightly push the magnetic front side
Glissez votre pouce sur le passe-doigt, et poussez légèrement la face avant aimantée.



VITRINEMEDIA LED DISPLAYS

SOLUTIONS AND BENEFITS

	Visual insertion	Front and back panel material	Corner	Light on edge	Frame color front side	Frame color back side	LED	LED Color Temperature (*K)	Type of use	Possible extension to specific visual dimensions *	Possible extension to specific formats *(Round, Diamond)	Tilted on cables	Wall mounted	Dock mounted	Possible installation on specific supports *
VM TWO	Magnetic opening system on 2/3	Acrylic	Round Radius 10 mm	☑	Black or Silver	Black or Silver	On 4 sides	10 000	Window	☑	☑	☑	☑	☑	☑
VM ONE HYBRID	Magnetic opening system on 2/3	Acrylic	Square	☑	Chrome	White		10 000		☐	☐	☐	☐	☐	☐
VM TWO CLIP	Magnetic opening system on 2/3	Acrylic	Round Radius 10 mm	☑	Black or Silver	☐	On 2 long sides	10 000	Interior	☑	☐	☐	☑	☑	☑
VM WALL FORMAT	Magnetic opening system completely detachable	Acrylic (Only front panel)	Round Radius 10 mm	☐	Black	☐	A2 : On 2 sides A1 : On 4 sides	10 000		☑	☐	☐	☑	☐	☑
VM SUPERLIGHT	Sliding system	Tempered glass (Only front panel)	Round Radius 5 mm	☐	Black	☐	On 2 sides	6 500		☐	☐	☐	☑	☐	☑

LED on 4 sides



Light on edge



Round - Radius 10 mm



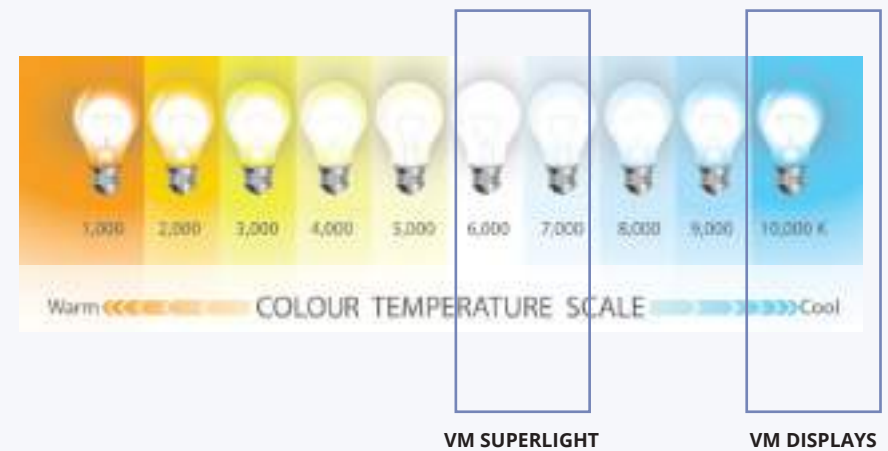
LED on 2 sides



No light on edge



Round - Radius 5 mm



VITRINEMEDIA LED DISPLAYS

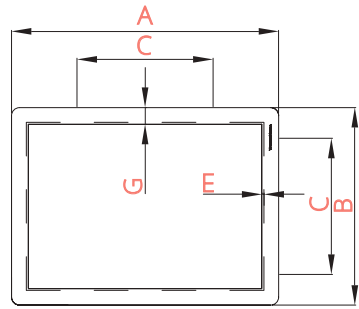
COMPATIBILITIES WITH ACCESSORIES

SOLUTIONS	WINDOW SOLUTIONS								STAND SOLUTIONS						WALL SOLUTIONS		DOCK SOLUTIONS		
	X POWER RAIL XPR FIXTURE SET	XPR CEILING FIXTURE SET	VM START NOW	VM TRACK TRANSFORMER	VM TWO SECURE SET	PAIR OF CABLES	VM TWO TILTED	XPR GROUND FIXTURE SET	VM SUPERLIGHT STAND	VM SUERLIGHT KIOSK	VM SUPERLIGHT SINGLE	VM MOBILE STAND EASY CLIP	VM BOX PREMIUM	VM STAND LARGE FORMAT	VM TWO WALL FIXTURE SET	VM WALL	VM TWO DOCK	VM SINGLE	VM LIGHT&PLAY DOCK
VM TWO	✓	✓	✓	✓	✓	✓	✓	✓	✗	✗	✗	✗	✗	✓	✓	✗	✓	✗	✗
VM TWO BANNER	✓	✓	✓	✓	✓	✓	✗	✓	✗	✗	✗	✗	✗	✓	✓	✗	✗	✗	✗
VM SIGN	✓	✓	✓	✓	✓	✓	✗	✓	✗	✗	✗	✗	✗	✗	✓	✗	✗	✗	✗
VM TWO DIAMOND	✓	✓	✓	✓	✓	✓	✗	✓	✗	✗	✗	✗	✗	✗	✓	✗	✓	✗	✗
VM ONE HYBRID	✓	✓	✗	✓	✗	✓	✗	✓	✗	✗	✗	✗	✗	✗	✗	✗	✗	✗	✗
VM ONE BANNER	✓	✓	✗	✓	✗	✓	✗	✓	✗	✗	✗	✗	✗	✗	✗	✗	✗	✗	✗
VM TWO CLIP	✗	✗	✗	✗	✗	✗	✗	✗	✗	✗	✗	✓	✓	✗	✗	✓	✗	✓	✗
VM SUPERLIGHT	✗	✗	✗	✗	✗	✗	✗	✗	✗	✗	✗	✗	✗	✗	✗	✗	✗	✗	✗
VM WALL FORMAT	✗	✗	✗	✗	✗	✗	✗	✗	✓	✓	✓	✗	✗	✗	✗	✗	✗	✗	✗
VM LIGHT & PLAY	✗	✗	✗	✗	✗	✗	✗	✗	✗	✗	✗	✓	✗	✗	✗	✗	✗	✗	✓

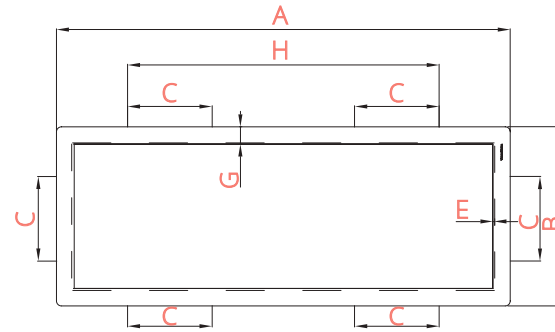
DOUBLE SIDED LED DISPLAYS

VM TWO - VM TWO BANNER

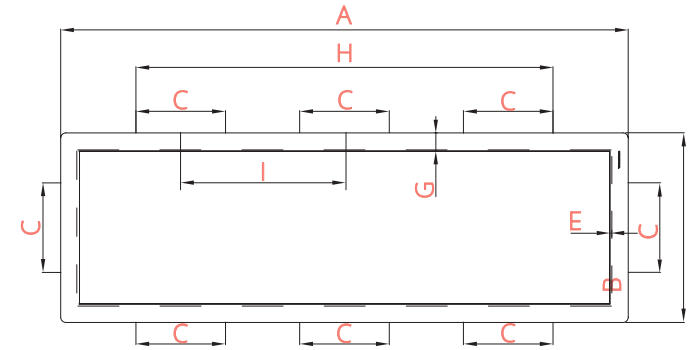
VM TWO — VM TWO BANNER



A4 ~ A0



BANNER S



BANNER L

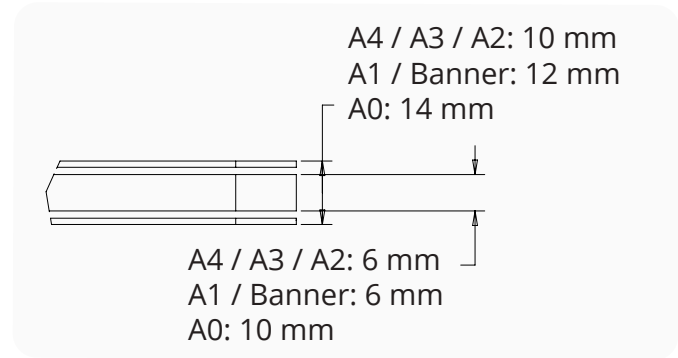
Accessories	A4	A3	A2	A1	A0	Banner S	Banner L
X Power Rail	✔	✔	✔	✔	✔	✔	✔
XPR Ceiling Fixture Set	✔	✔	✔	✔	✔	✔	✔
VM Start Now	✔	✔	✔	✔	✔	✔	✔
VM Track Transformer	✔	✔	✔	✔	✔	✔	✔
VM Two Secure Set	✔	✔	✔	✔	✘	✔	✔
VM Two Tilted Set	✔	✔	✘	✘	✘	✘	✘
VM Two Wall Fixture Set	✔	✔	✔	✔	✘	✔	✔
VM Two Dock	✔	✔	✘	✘	✘	✘	✘
VM Two Connector A4 V	✔ (Only V)	✘	✘	✔ (Only V)	✘	✘	✘
VM Two Connector	✔ (Only H)	✔	✔	✔ (Only H)	✔	✔	✔

Reference	Product	Printed visual (mm)		Product Dimensions (mm)								Voltage (V)	Power consumption (W)	Number of LED	Brightness (LUX)		Net weight (kg)	Gross weight (kg)	Max displays per column		
		Dimensions to print	Visible dimensions	A	B	C	E	D	G	H	I				Front	Back					
1012412029	VM TWO A4 - SILVER/WHITE	210x297	205x292	334	247	170	2,5	10	21			24	5,63	98	6400	3300	0,860	1,019	6 A4		
1012412030	VM TWO A3 - SILVER/WHITE	297x420	292x415	457	334	170	2,5	10	21			24	8,04	140	5200	2400	1,510	1,786	5 A3		
1012412031	VM TWO A2 - SILVER/WHITE	420x594	415x589	631	457	170	2,5	10	21			24	11,26	196	3400	1700	3,025	3,577	3 A2		
1012412032	VM TWO A1 - SILVER/WHITE	594x841	589x836	878	631	170	5	12	23,5			24	25,20	210	4000	2300	7,130	9,281	2 A1		
1012014003	VM TWO A0 - SILVER/WHITE	841x1189	833x1181	1251	903	560	4	14	35			24	35,28	294	2000	1000	17,246	25,146	1 A0		
1010316001	VM TWO A4 - BLACK	210x297	205x292	334	247	170	2,5	10	21			24	5,63	98	6400	3300	0,860	1,019	6 A4		
1013114004	VM TWO A3 - BLACK	297x420	292x415	457	334	170	2,5	10	21			24	8,04	140	5200	2400	1,510	1,786	5 A3		
1011116001	VM TWO A2 - BLACK	420x594	415x589	631	457	170	2,5	10	21			24	11,26	196	3400	1700	3,025	3,577	3 A2		
1011116002	VM TWO A1 - BLACK	594x841	589x836	878	631	170	5	12	23,5			24	25,20	210	4000	2300	7,130	9,281	2 A1		
1014715004	VM TWO A0 - BLACK	841x1189	833x1181	1251	903	560	4	14	35			24	35,28	294	2000	1000	17,246	25,146	1 A0		
1010817002	VM TWO A - SILVER/WHITE	216x279	211x274	316	253	170	2.5	10	21			24	5,63	98	6800	3200	0,830	0,995	6 A		
1010817004	VM TWO B - SILVER/WHITE	279x432	274x427	469	316	170	2.5	10	21			24	8,04	140	5200	2600	1,520	1,736	5 B		
1010817001	VM TWO A - BLACK	216x279	211x274	316	253	170	2.5	10	21			24	5,63	98	6800	3200	0,830	0,995	6 A		
1010817003	VM TWO B - BLACK	279x432	274x427	469	316	170	2.5	10	21			24	8,04	140	5200	2600	1,520	1,736	5 B		
1011615001	VM TWO 50X70 - SILVER/WHITE	500x700	495x695	737	537	170	5	12	23,5			24	23,52	196	5000	3000	5,080	6,937	3 50X70		
1011615002	VM TWO 60X80 - SILVER/WHITE	600x800	595x795	837	637	170	5	12	23,5			24	23,52	196	3200	1800	6,770	9,044	2 60X80		
1014818001	VM TWO 100X70 - SILVER/WHITE	700x1000	692x992	1062	762	635 / 370	4	14	35			24	33,6	280	2700	1350	10,020	16,09	1 100X70		
1015116001	VM TWO 120X80 - SILVER/WHITE	800x1200	792x1192	1246	846	560	4	14	35			24	33.60	280	2000	1000	15,736	23,736	1 x 120X80		
1015117001	PANORAMIC BANNER S SIL/W MIX	1020x350	1012x342	1082	412	170	4	12	35			795		24	26,88	224	3500	1800	5,410	9,643	X
1014817001	PANORAMIC BANNER L SIL/W MIX	1392x350	1384x342	1454	412	170	4	12	35			1167	498,5	24	35,28	294	4000	2000	7,450	12,770	X
1015117002	PANORAMIC BANNER S BLA MIX	1020x350	1012x342	1082	412	170	4	12	35	795	-	24	26,88	224	3500	1800	5,410	9,643	X		
1014817002	PANORAMIC BANNER L BLA MIX	1392x350	1384x342	1454	412	170	4	12	35	1167	498,5	24	35,28	294	4000	2000	7,450	12,77	X		

ROUND CORNERS



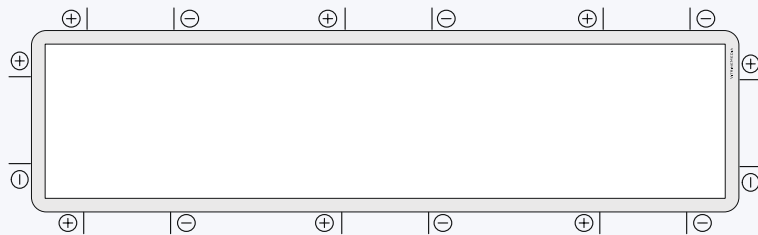
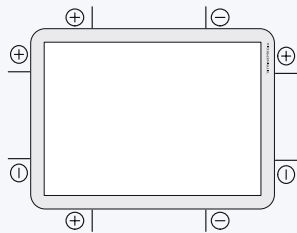
ULTRA SLIM



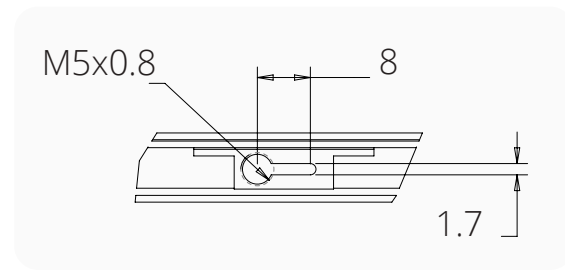
POLARITIES



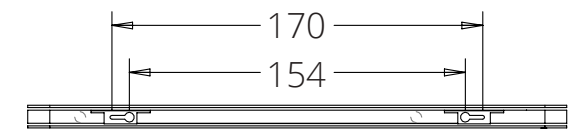
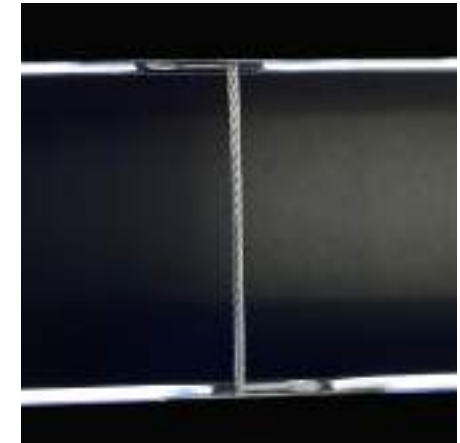
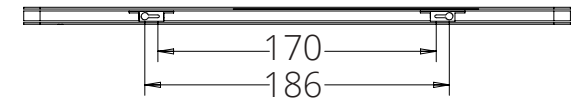
FROM OUTSIDE THE WINDOW



THREADED FIXATIONS



STANDARD DISTANCE ON ALL FORMATS



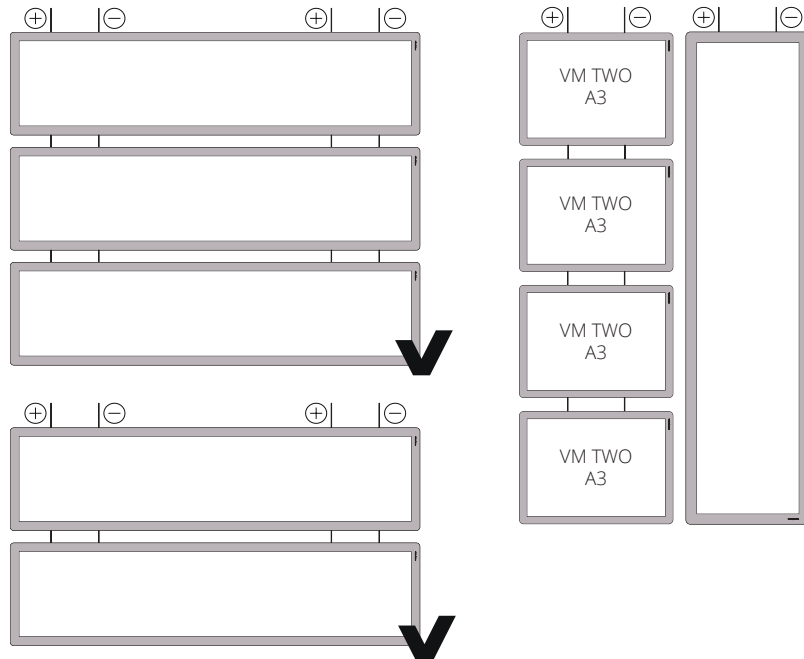
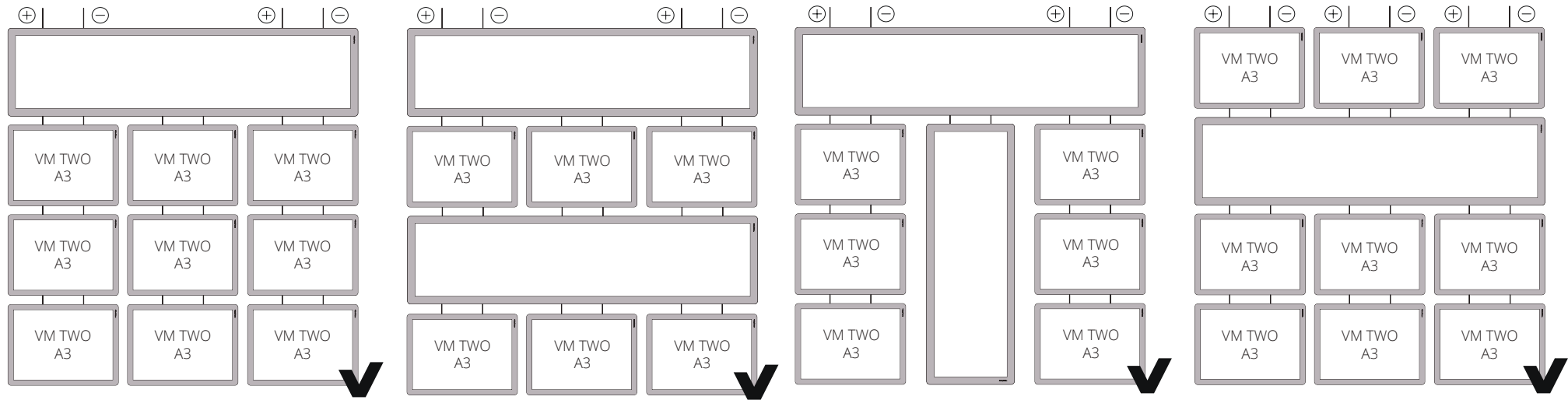
Exceptions on A4 V, A V, A0 V,
120x80 V and Banner L H middle



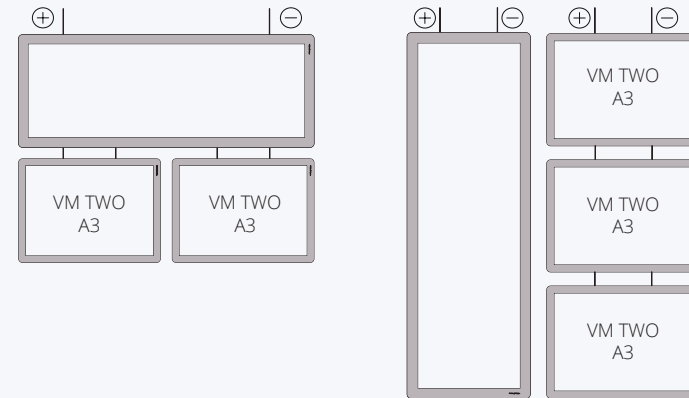


CONFIGURATIONS BANNER L & S

BANNER L



BANNER S





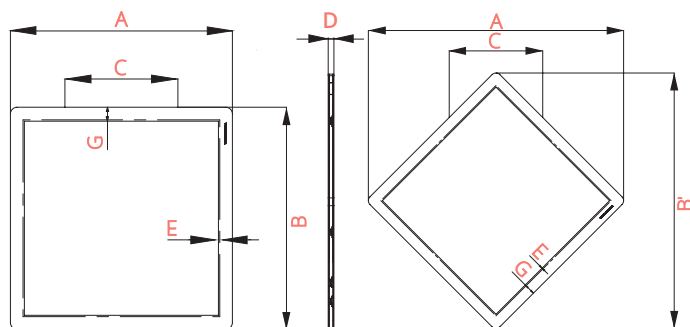


DOUBLE SIDED LED DISPLAYS

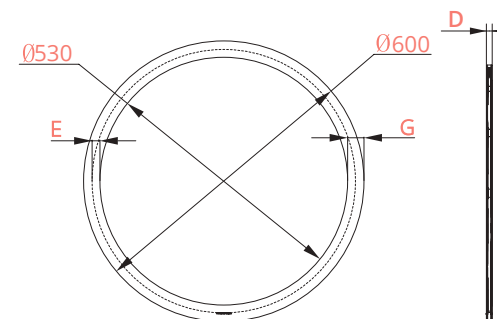
VM SIGN - VM TWO DIAMOND

Reference	Product	Printed visual (mm)		Product Dimensions (mm)								Voltage (V)	Power consumption (W)	Number of LED	Brightness (LUX)		Net weight (kg)	Gros weight (kg)	Max displays per column
		Dimensions to print	Visible dimensions	A'	B'	A	B	C	E	D	G				Front	Back			
1012916001	VM SIGN R-60 - SILVER/WHITE	Ø 564	Ø 530	-	-	Ø600	170	17	12	35	24	15,84	210	3200	1600	7,059	9,211	3 VM SIGN	
1011018001	VM SIGN R-60 - BLACK	Ø 564	Ø 530	-	-	Ø600	170	17	12	35	24	15,84	210	3200	1600	7,059	9,211	3 VM SIGN	
1012119016	VM TWO DIAMOND 29.7 BLACK	297x297	292x292	464	464	334	334	170	2,5	10	21	24	6,5	112	5500	3000	1,164	1,425	6 DIAMOND
1012119015	VM TWO DIAMOND 29.7 SIL/WHI	297x297	292x292	464	464	334	334	170	2,5	10	21	24	6,5	112	5500	3000	1,164	1,425	6 DIAMOND

VM TWO DIAMOND



VM SIGN



Accessoires	VM Two Diamond	VM Sign R60
X Power Rail	✓	✓
XPR Ceiling Fixture Set	✓	✓
VM Start Now	✓	✓
VM Track Transformer	✓	✓
VM Two Secure Set	✓	✓
VM Two Tilted Set	✗	✗
VM Two Wall Fixture Set	✓ (Only square)	✓
VM Two Dock	✓	✗
VM Two Diamond Connector	✓	✗
VM Two Sign Connector	✗	✓

VISUAL INSERTION

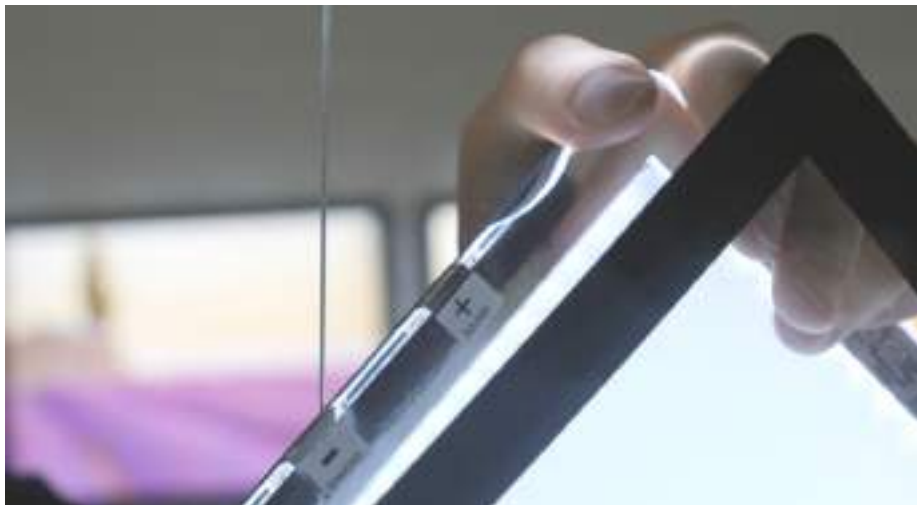
POLARITY STICKERS

INTER COMPATIBILITY

VM SIGN



VM TWO DIAMOND

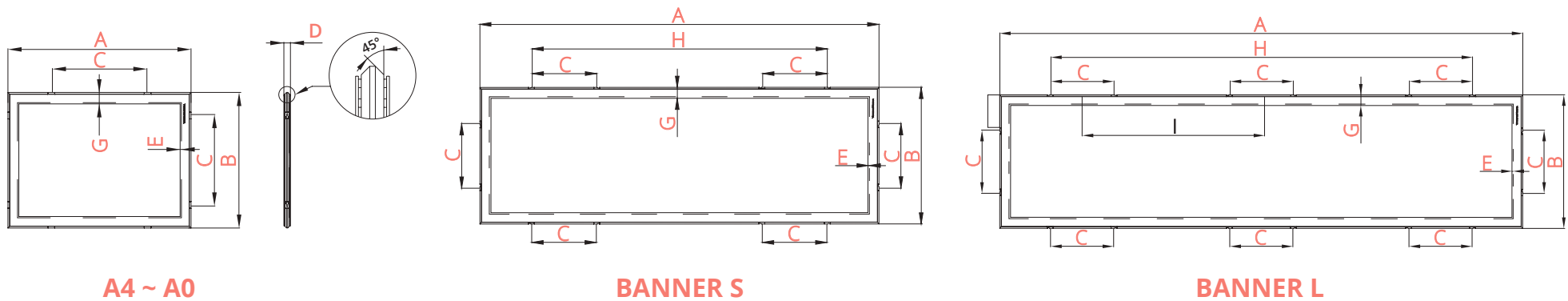




DOUBLE SIDED LED DISPLAYS

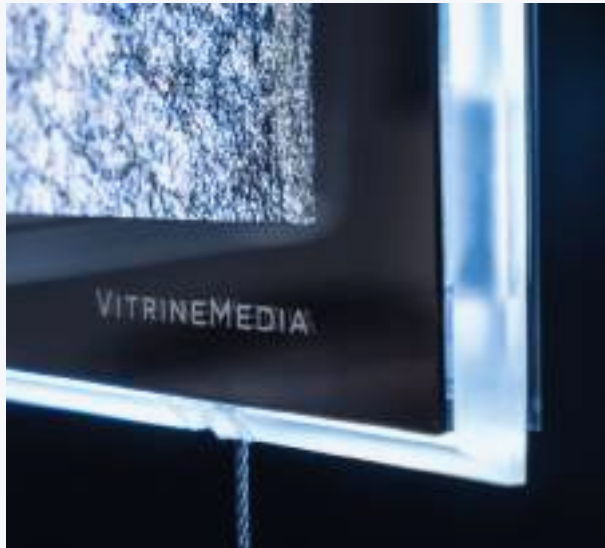
VM ONE HYBRID - VM ONE BANNER

Reference	Product	Printed visual (mm)		Product Dimensions (mm)								Voltage (V)	Power consumption (W)	Number of LED	Brightness (LUX)		Net weight (kg)	Gross weight (kg)	Max displays per column
		Dimensions to print	Visible dimensions	A	B	C	E	D	G	H	I				Front	Back			
1013917001	VM ONE HYBRID A4 CHROME/WHITE	210x297	205x292	334	247	170	2.5	12	17,5	-	-	24	5,63	98	6000	3300	0.990	1,135	6 A4
1013917002	VM ONE HYBRID A3 CHROME/WHITE	297x420	292x415	457	334	170	2.5	12	17,5	-	-	24	8,04	140	5200	2400	1840	2,051	5 A3
1013618001	VM ONE HYBRID A2 CHROME/WHITE	420x594	415x589	631	457	170	2.5	12	17,5	-	-	24	11,26	196	3400	1700	3455	4,110	3 A2
1013618002	VM ONE HYBRID A1 CHROME/WHITE	594x841	584x831	878	631	170	5	12	20	-	-	24	25,20	210	4000	2300	7027	9,267	2 A1
1013618003	VM ONE HYBRID A0 CHROME/WHITE	841x1189	833x1181	1251	903	560	4	14	31,5	-	-	24	35,28	294	2900	1000	17130	25,336	1 A0
1011019001	VM ONE HYBRID A CHROME/WHITE	216x279	211x274	316	253	170	2,5	12	17,5	-	-	24	5,63	98	6000	3300	0.989	1,119	6 A
1011019002	VM ONE HYBRID B CHROME/WHITE	279x232	274x427	469	316	170	2,5	12	17,5	-	-	24	8,04	140	5200	2400	1824	2,119	5 B
1013718001	VM ONE BANNER S CHROME/WHITE	1020x350	1012x342	1082	412	170	4	12	31,5	795	-	24	26,88	224	3500	1800	5480	9,753	X
1013718002	VM ONE BANNER L CHROME/WHITE	1392x350	1384x342	1454	412	170	4	12	31,5	1167	498,5	24	35,28	294	4000	2000	7220	12,366	X



Accessoires	A4	A3	A2	A1	A0	Banner S	Banner L
X Power Rail	✔	✔	✔	✔	✔	✔	✔
XPR Ceiling Fixture Set	✔	✔	✔	✔	✔	✔	✔
VM Track Transformer	✔	✔	✔	✔	✘	✔	✔

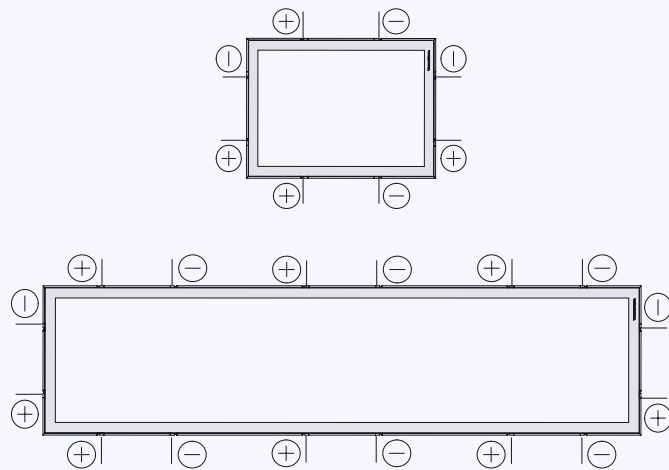
SQUARE CORNERS



POLARITIES



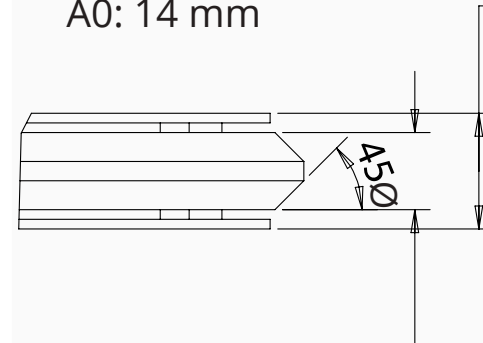
FROM OUTSIDE THE WINDOW



ULTRA SLIM



A4 / A3 / A2 / A1 / Banner : 12 mm
A0: 14 mm



A4 / A3 / A2 / A1 / Banner : 8 mm
A0: 10 mm

SEAMLESS BEVELED ILLUMINATED BORDERS



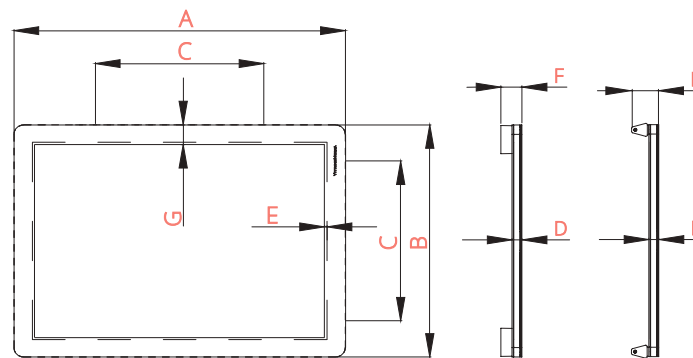




SINGLE SIDED LED DISPLAYS

VM TWO CLIP

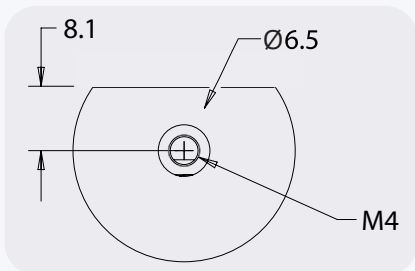
Reference	Product	Printed visual (mm)		Product Dimensions (mm)							Voltage (V)	Power consumption (W)	Number of LED	Brightness (LUX)	Net weight (kg)	Gross weight (kg)
		Dimensions to print	Visible dimensions	A	B	C	D	E	F	G						
1011015003	VM TWO CLIP A4 - BLACK	210x297	205x292	334	247	170	10	2,5	21	21	24	3.22	56	3600	0,889	1,045
1011015004	VM TWO CLIP A3 - BLACK	297x420	292x415	457	334	170	10	2,5	21	21	24	4.82	84	3200	1,608	1,836
1011915001	VM TWO CLIP A2 - BLACK	420x594	415x589	631	457	170	10	2,5	21	21	24	6.43	112	2200	3,015	3,575
1014215003	VM TWO CLIP A1 - BLACK	594x841	589x836	878	631	170	12	2,5	30	21	24	15.12	126	2900	7,129	9,281
1010917005	VM TWO CLIP A - BLACK	216x279	211x274	316	253	170	10	2,5	21	21	24	3.22	56	3800	0,869	0,994
1010917006	VM TWO CLIP B - BLACK	279x432	274x427	469	316	170	10	2,5	21	21	24	4.82	84	3200	1,538	1,784
1010916001	VM TWO CLIP A4 - SILVER	210x297	205x292	334	247	170	10	2,5	21	21	24	3.22	56	3600	0,889	1,045
1010916002	VM TWO CLIP A3 - SILVER	297x420	292x415	457	334	170	10	2,5	21	21	24	4.82	84	3200	1,608	1,836
1011716001	VM TWO CLIP A4 - WHITE	210x297	205x292	334	247	170	10	2,5	21	21	24	3.22	56	3600	0,889	1,045
1011018003	VM TWO CLIP A3 - WHITE	297x420	292x415	457	334	170	10	2,5	21	21	24	4,82	84	3200	1,608	1,836



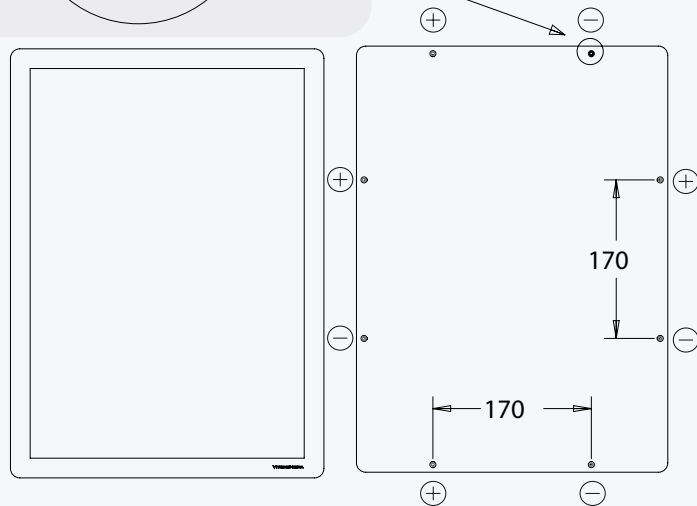
A4 ~ A2 A1

Accessoires	A4	A3	A2	A1
VM Wall	✓	✓	✓	✓
VM Mobile Stand Easy Clip	✓	✓	✓	✓
VM Box Premium	✓	✓	✓	✓
VM Two Clip Secure Fix	✓	✓	✓	✓
VM Two Clip Connector	✓	✓	✓	✓
VM Single	✓	✓	✗	✗

SCREWABLE BRACKET SYSTEM

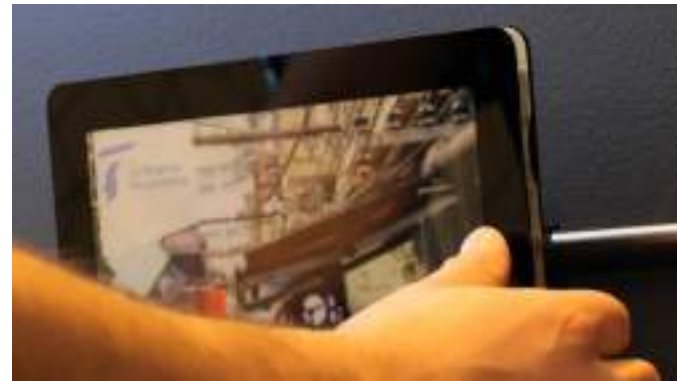


The back side offer 8 x M4 threads with positive and negative polarities

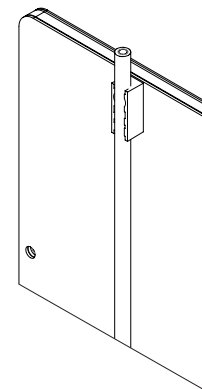


INNOVATIVE BRACKET SYSTEM, 2 OPTIONS:

CLIP & LIGHT



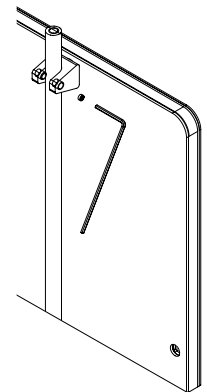
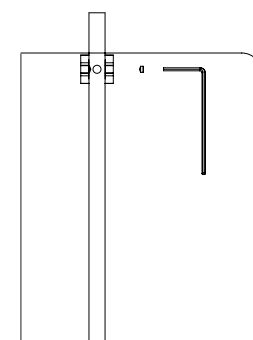
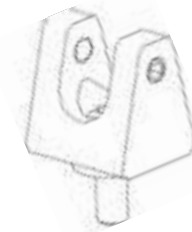
Black ABS plastic bracket provided on A4, A3, A2



SECURE FIX



Chromy metallic bracket provided on A1





SINGLE SIDED LED DISPLAYS

VM SUPERLIGHT

Reference	Product	Printed visual (mm)		Product Dimensions (mm)							Voltage (V)	Power consumption (W)	Number of LED	Brightness (LUX)	Color temperature (°K)	Net weight (kg)	Gros weight (kg)
		Dimensions to print	Visible dimensions	A	B	C1	C2	D	E	G							
1011320001	VM SUPERLIGHT A4 - BLACK	210x297	205x284	304	225	227	147	10	2,5	10	12	5,2	56	5000	6500	0,590	0,830
1011320002	VM SUPERLIGHT A3 - BLACK	297x420	291x407	427	311	350	236	10	3	10	12	7,8	80	5000	6500	1,030	1,380
1011320003	VM SUPERLIGHT A2 - BLACK	420x594	415x580	600	435	523	357	10	3	10	12	11,4	144	4500	6500	2,070	2,740

SLIM DESIGN



SLIDING SYSTEM



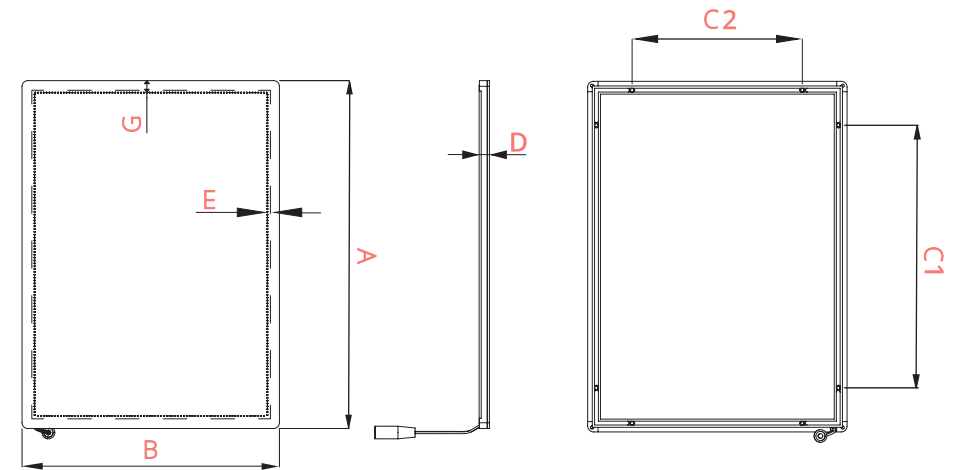
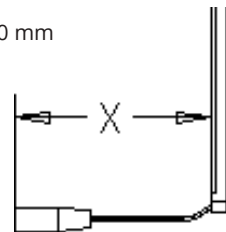
TEMPERED GLASS COVER

The front of the display is made out of tempered glass to prevent from any scratches.



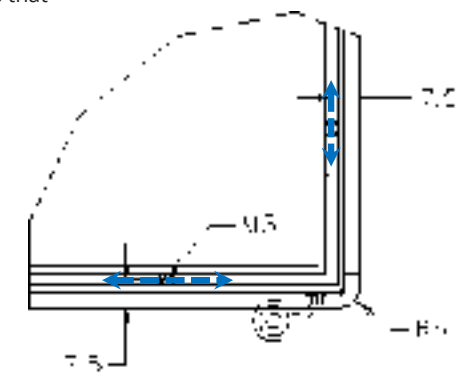
The length of cable is different depending on the formats :

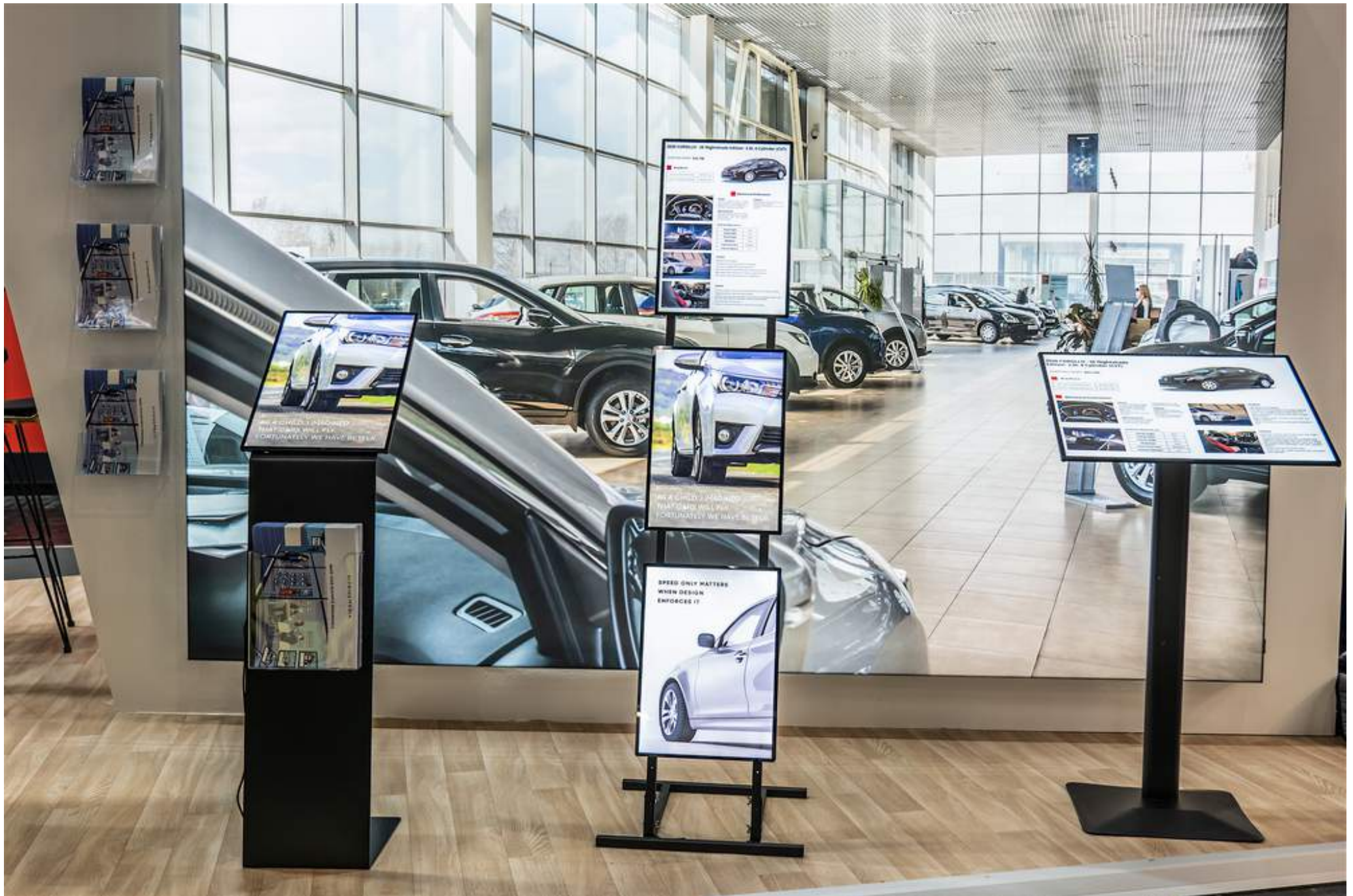
- A4 - 80 ~ 90 mm
- A3 - 120 mm
- A2 - 120 ~ 130 mm



INSTALLATION SYSTEM

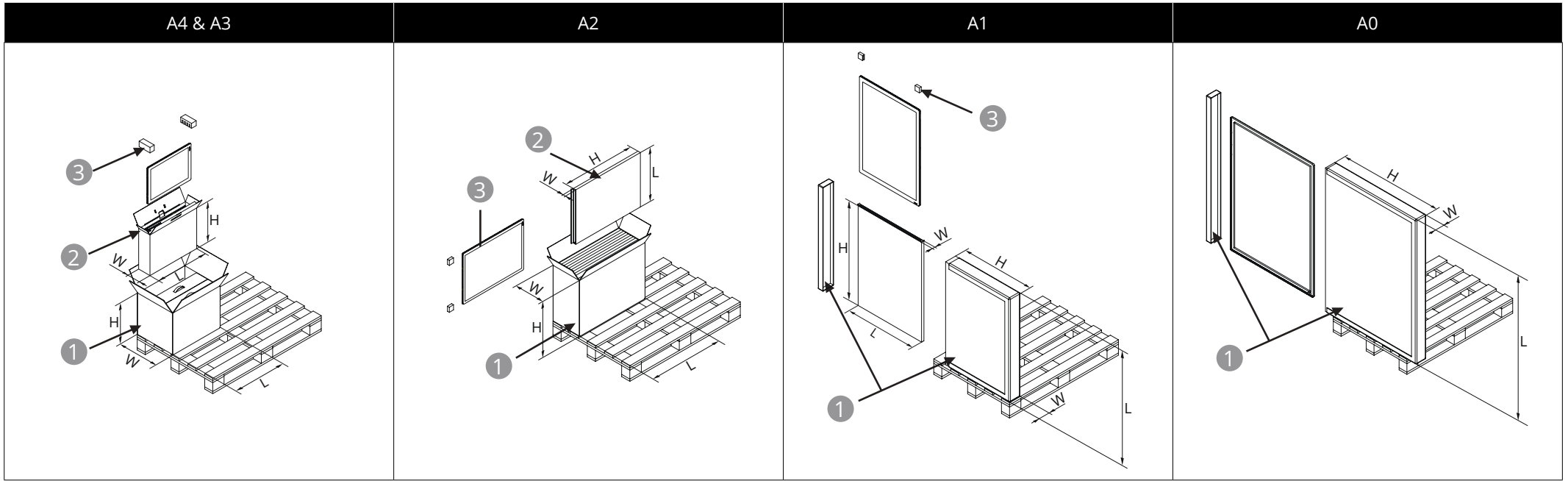
VM Superlight is equipped of 8 M3 movable nuts that enable to install it in any supports.





LED DISPLAYS LOGISTIC DATA

DIMENSIONS AND QUANTITIES



FORMAT	QUANTITY OF DISPLAYS PER LOGISTIC UNITS			DIMENSIONS OF LOGISTIC UNITS					
	PER SINGLE BOX	PER EXPORT BOX	PER PALET	EXPORT BOX			SINGLE BOX		
				L (mm)	W (mm)	H (mm)	L (mm)	W (mm)	H (mm)
A4	4	12	504	393	365	305	375	117	288
A3	4	12	288	510	369	395	500	118	375
A2	1	10	180	685	270	513	492	25	666
50x70	1	3	60	820	120	615	770	25	574
60x80				960	120	700	870	25	673
VM SIGN				760	120	746	715	29	715
A1				960	120	700	663	25	905
A0	-	1	7	1382	105	1005	-	-	-
120x80				1370	105	965	-	-	-
BANNER S	-	1	44	1170	105	490	-	-	-
BANNER L				1580	108	497	-	-	-
LIGHT&PLAY 21.5	1	4	?	610	510	420	600	125	400






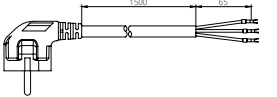
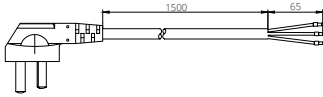
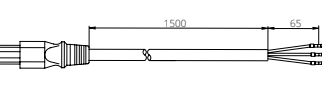
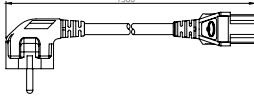
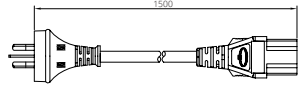
* ① EXPORT BOX ② SINGLE BOX ③ FOAM







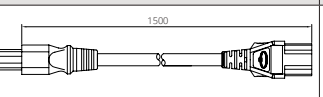
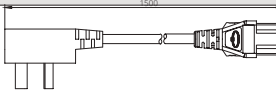
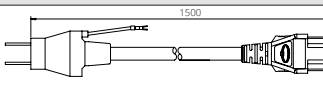
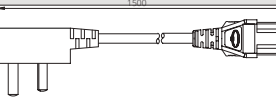
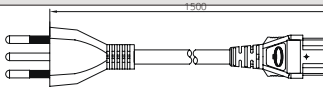
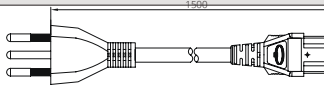
* Dimensions of cartons are given with +/- 15 mm tolerance



POWER SUPPLY RANGE

VM POWER CORD

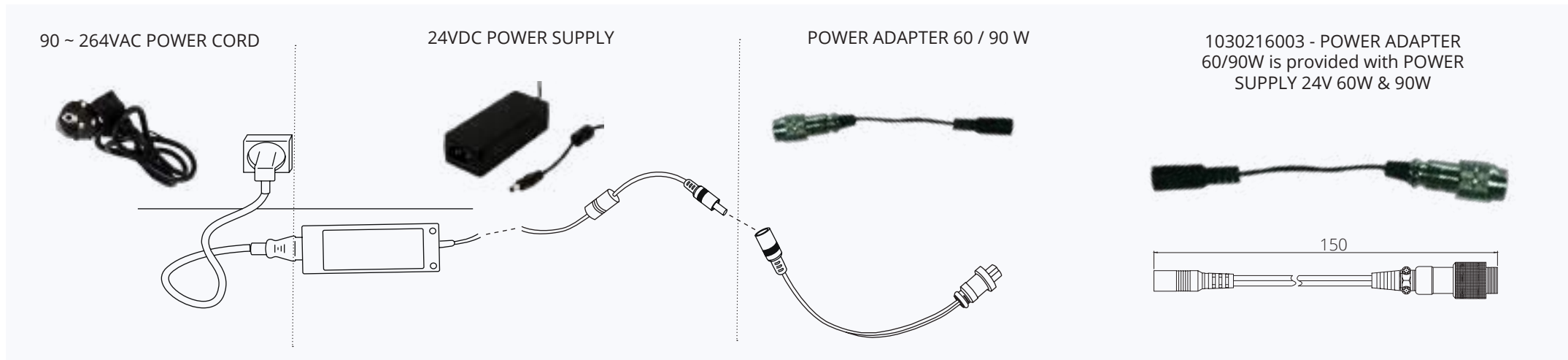
Reference	1020216001	1020216002	1020216003	1020216004	1020216005
Product	EU POWER CORD 150W	AUS POWER CORD 150W	US POWER CORD 150W	EU POWER CORD (PB, PS)	AUS POWER CORD (PB, PS)
Picture					
Drawing					
Cable length (m)	1,5	1,5	1,5	1,5	1,5
Color	Black	Black	Black	Black	Black
Plug type	Type E	Type I	Type B	Type E	Type I
Compatibility	PS SET 150 / 320	PS SET 150 / 320	PS SET 150 / 320	Power Box 150 / 350 Power Supply 25 / 40 / 60 / 90	Power Box 150 / 350 Power Supply 25 / 40 / 60 / 90

1020216006	1020216007	1021216002	1021516002	1021717001	1021518001
US POWER CORD (PS, PS)	UK POWER CORD (PS, PB)	JAP POWER CORD (PB, PS)	SA POWER CORD (PS, PS) BLACK	CH POWER CORD (PB, PS) BLACK	CH POWER CORD (PB, PS) WHITE
					
					
1,5	1,5	1,5	1,5	1,5	1,5
Black	Black	Black	Black	Black	White
Type B	Type G	Type A	Type M	Type J	Type J
Power Box 150 / 350 Power Supply 25 / 40 / 60 / 90	Power Box 150 / 350 Power Supply 25 / 40 / 60 / 90	Power Box 150 / 350 Power Supply 25 / 40 / 60 / 90	Power Box 150 / 350 Power Supply 25 / 40 / 60 / 90	Power Box 150 / 350 Power Supply 25 / 40 / 60 / 90	Power Box 150 / 350 Power Supply 25 / 40 / 60 / 90

POWER SUPPLY RANGE





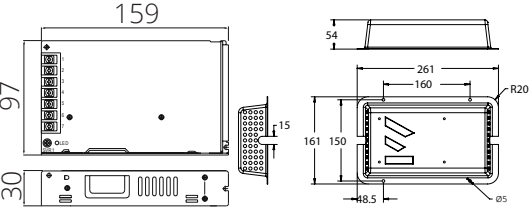
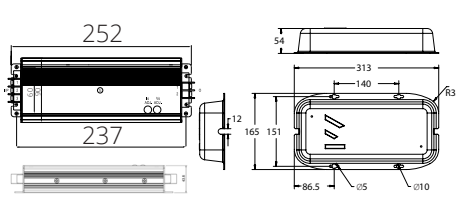
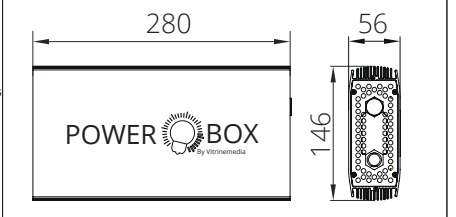
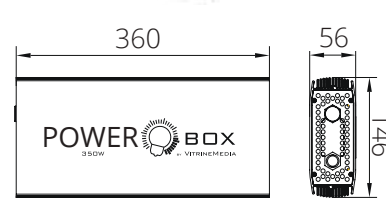
VM POWER SUPPLY

Reference	1021320001	1020110002	1021215001	1023014003	1023014006	1021216001
Product	POWER SUPPLY 12V 36W EU	POWER SUPPLY 24V 25W	POWER SUPPLY - 24V 40W	POWER SUPPLY - 24V 60W	POWER SUPPLY - 24V 90W	POWER SUPPLY - 24V 160W JAPAN
Picture						
Drawing						
Dimensions (mm)	79 x 54 x 33	93 x 54 x 36	125 x 50 x 31.5	125 x 50 x 31,5	145 x 60 x 31,5	175 x 72 x 35
Cable length (m)	1	1.8	1.8	1.8	1.8	1.3
Power cord	No need	Need	Need	Need	Need	Need
Color	Black	Black	Black	Black	Black	Black
Output voltage (V)	12	24	24	24	24	24
Output power (W)	36	25	40	60	90	160
Input voltage (V)	85 ~ 264VAC	90 ~ 264VAC	90 ~ 264VAC	90 ~ 264VAC	90 ~ 264VAC	95 ~ 264VAC



POWER SUPPLY RANGE

VM PS SET / VM POWER BOX

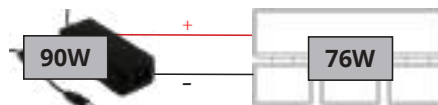
Reference	1020917002	1022318001	1023219001	1020917001	1023117001
Product	VM PS SET 24V 150W EU	VM PS SET 24V 150W US	VM PS SET 24V 320W EU	VM POWER BOX 24V 150W	VM POWER BOX 24V 350W
Picture					
Drawing					
Dimensions (mm)	261 x 161 x 54	313 x 169 x 54	280 x 146 x 56	360 x 126 x 56	
Cable length (m)	1,5	0,5	-	-	
Power cord	No need, included	No need, included	Need	Need	
Color	White	White	Anodized	Anodized	
Output voltage (V)	24	24	24	24	
Output power (W)	150	320	150	30	
Input voltage (V)	85 ~ 264VAC	90 ~ 264VAC	85 ~ 264VAC	85 ~ 264VAC	

POWER SUPPLY RANGE

KIT POWER SUPPLY





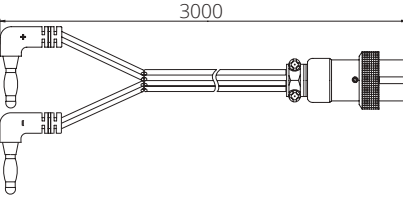
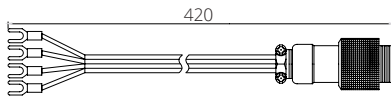
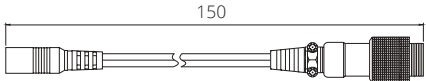
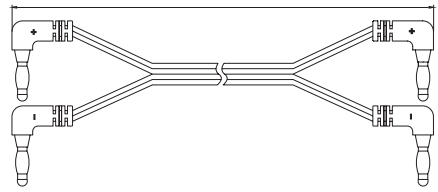
KITS	KIT POWER SUPPLY 40W RAIL EU	KIT POWER SUPPLY 60/90W XPR	PS SET 150W EU	KIT VM POWER BOX 150W EU XPR	PS SET 320W EU	KIT VM POWER BOX 350W EU XPR
Référence	5021117002 (25W) 5021117001 (40W)	FRANCE 5020916004 (60W) 5020916001 (90W) EUROPE 5020420002 (60W) 5020420001 (90W)	1020917002	5020516001	1023219001	5022119001
Maximum cumulated consumption of displays*	25W : 22W 40W : 38W	85W	140W	220W	305W	330W
Power supply						
Safety Box	-	FRANCE  EUROPE -		-		-
Adapter			 x2	-	 x2	-
XPR Power Cord			 x2	 x2	 x2	 x2
Power Cord						

* Example:
If my window consumes 76 W, I can use a PS 90 W OR higher :



POWER SUPPLY RANGE

XPR CORD / POWER ADAPTER

Reference	1030216001	1030216004	1030216003	1034815002 (15CM) 1032316001 (30.5CM)
Product	XPR POWER CORD 300 CM 150 W	POWER ADAPTER 150W	POWER ADAPTER 60/90W	XPR FLEX CORNER 15CM XPR FLEX CORNER 30.5CM
Picture				
Drawing				
Color	White	White	Black	White
Compatibility	All power supplies, except PS SET 320W	PS SET 150W	Power Supply 25 / 40 / 60 / 90	X Power Rail

POWER SUPPLY RANGE

VM Y LINKING CABLE

Y LINKING CABLE 1M - 10CM

Réf : 1050216008

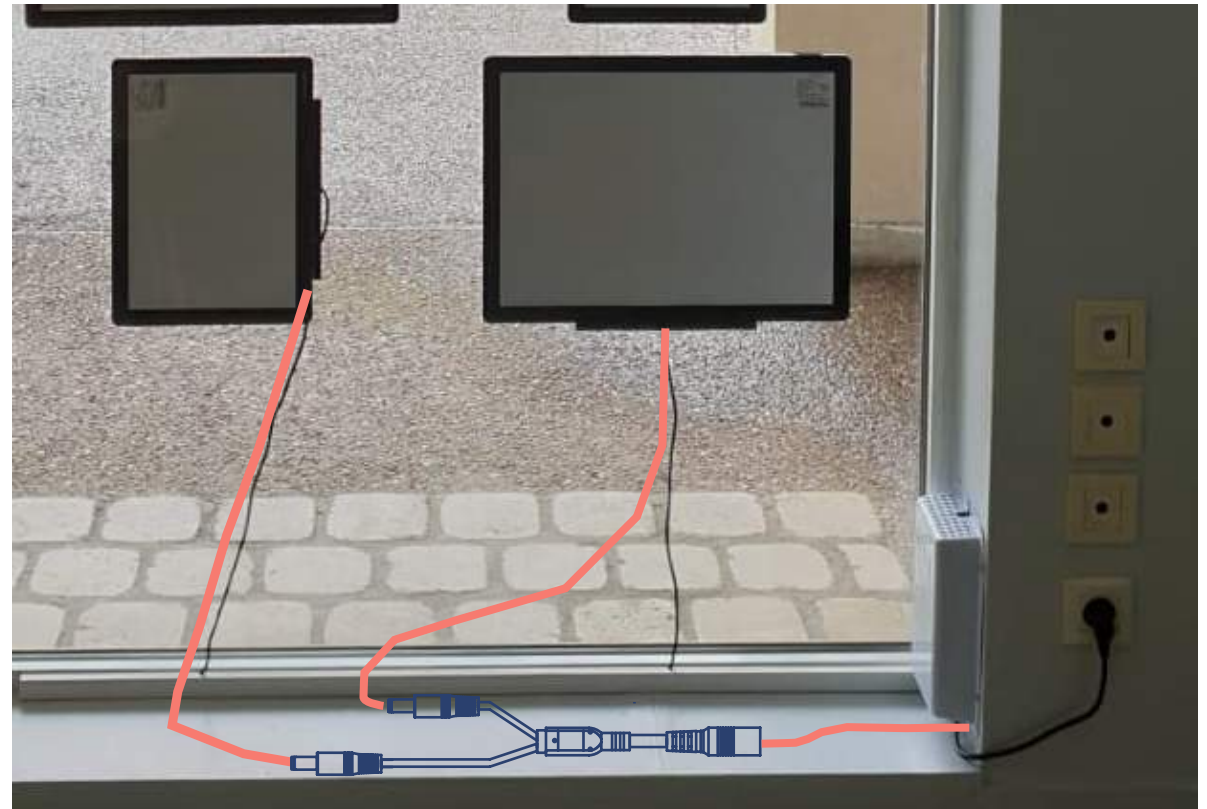
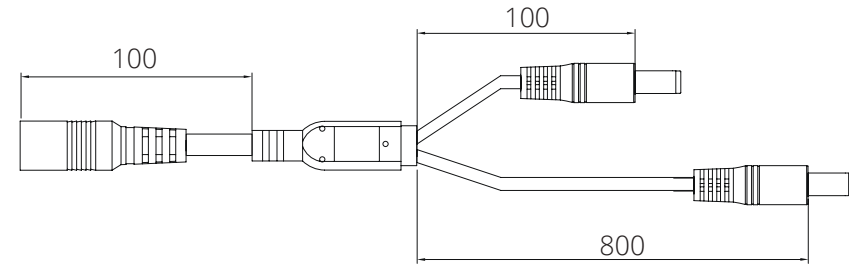
“ To connect several products to the same power supply ”



SPECIFICATIONS

- Only compatible with POWER SUPPLY 25 / 36 / 40 / 60 / 90
- Not compatible with PS SET and POWER BOX

DIMENSIONS



POWER SUPPLY RANGE

VM SAFETY BOX



VM SAFETY BOX 150W

Réf : 1022814001

VM SAFETY BOX 320W

Réf : 1020920001

CONTENT

150 W



320 W



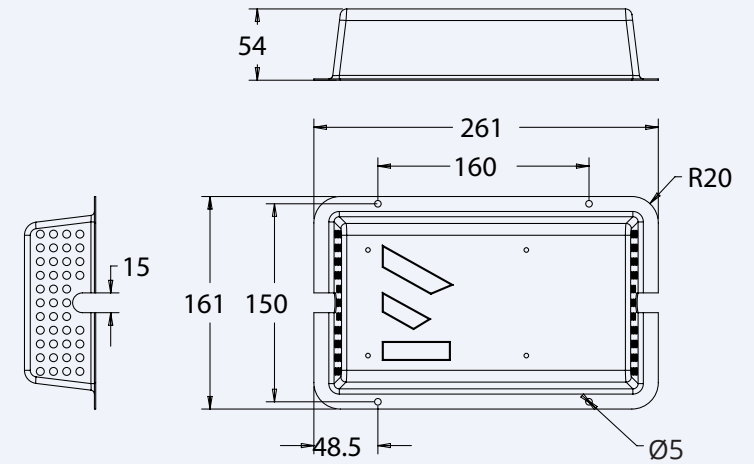
SPECIFICATIONS

- Installation to the ceiling
- Installation to the wall

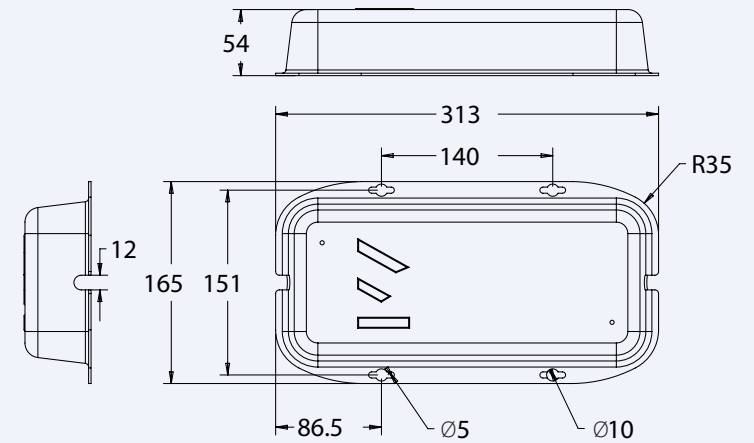


DIMENSIONS

150 W











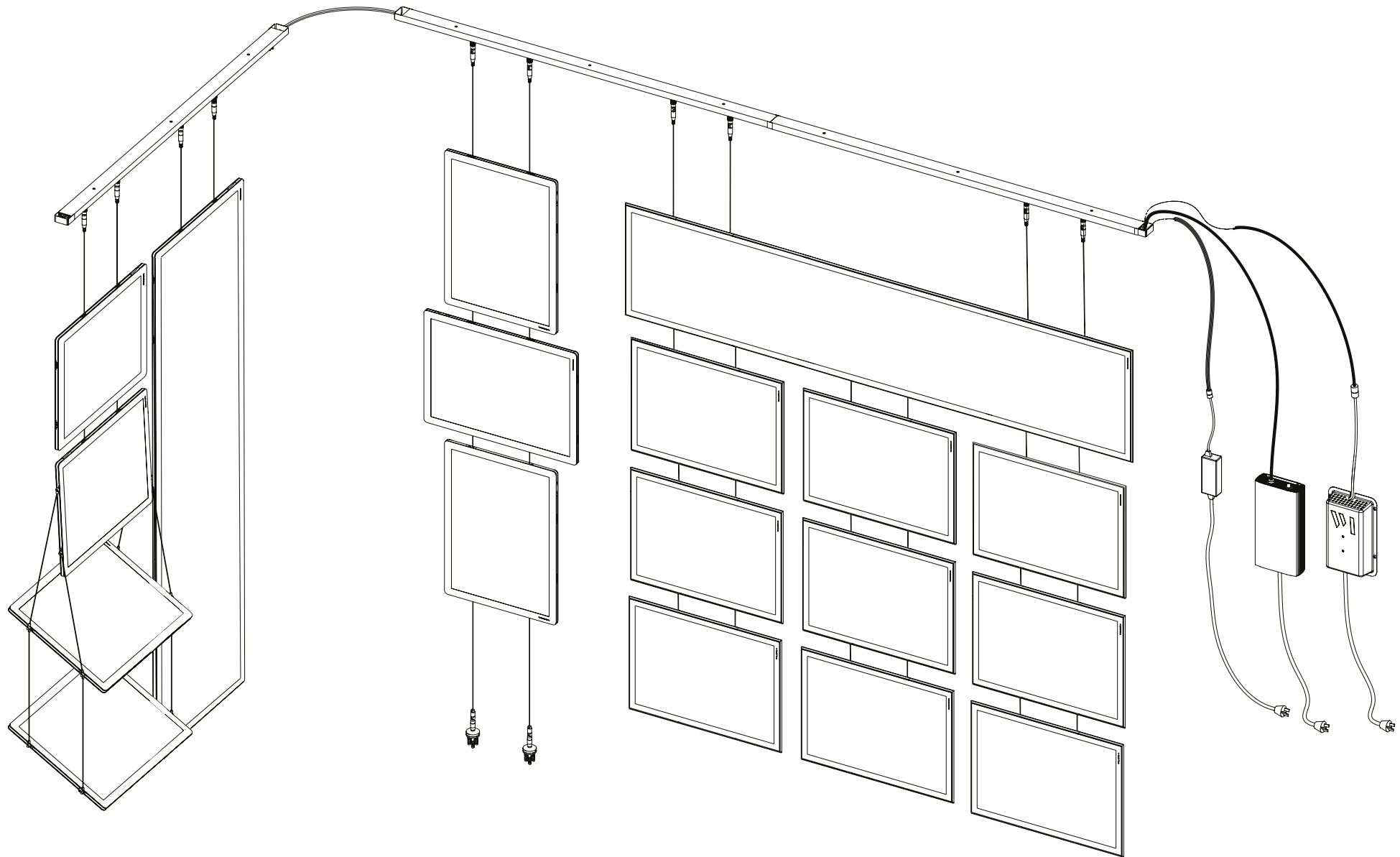
320 W



WINDOWS SOLUTIONS

SOLUTIONS AND BENEFIT

Reference	1080915001	1034815001 (300CM) 1030116001 (500CM)	1031717002	1033718001	1110318001
Picture					
Product	X POWER RAIL	XPR FIXTURE SET	XPR CEILING FIXTURE SET 300CM	VM START NOW BASIC SET	VM TRACK TRANSFORMER L 75W
Color	Anodized	Chrome	Chrome	Black	White
Maximum weight (kg)	40 kg	20 kg	20 kg	8 kg	10 kg
Support	Any ceiling or wall		Any ceiling or wall	Glass / Window	Eutrac / Erco Rail
Power supply compatibility	Any		Max 90W	Max 90W	75W integrated
Installation	Expert		Expert	Anyone	Anyone
Unmountability	-		-		



WINDOWS SOLUTIONS

**X POWER RAIL
XPR FIXTURE SET**

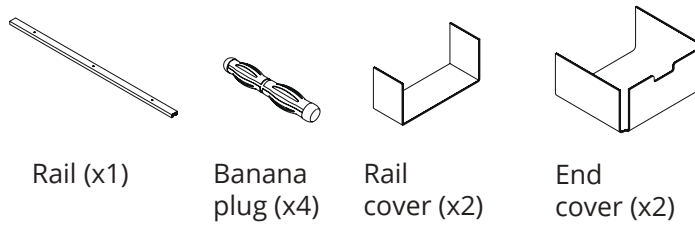
VI X POWER RAIL 110CM

Ref: 1030915001

“ Drive current on the whole width of your window ”



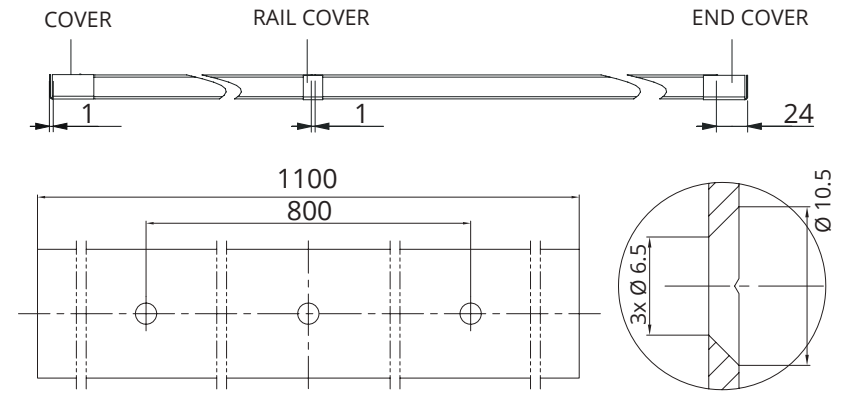
CONTENT



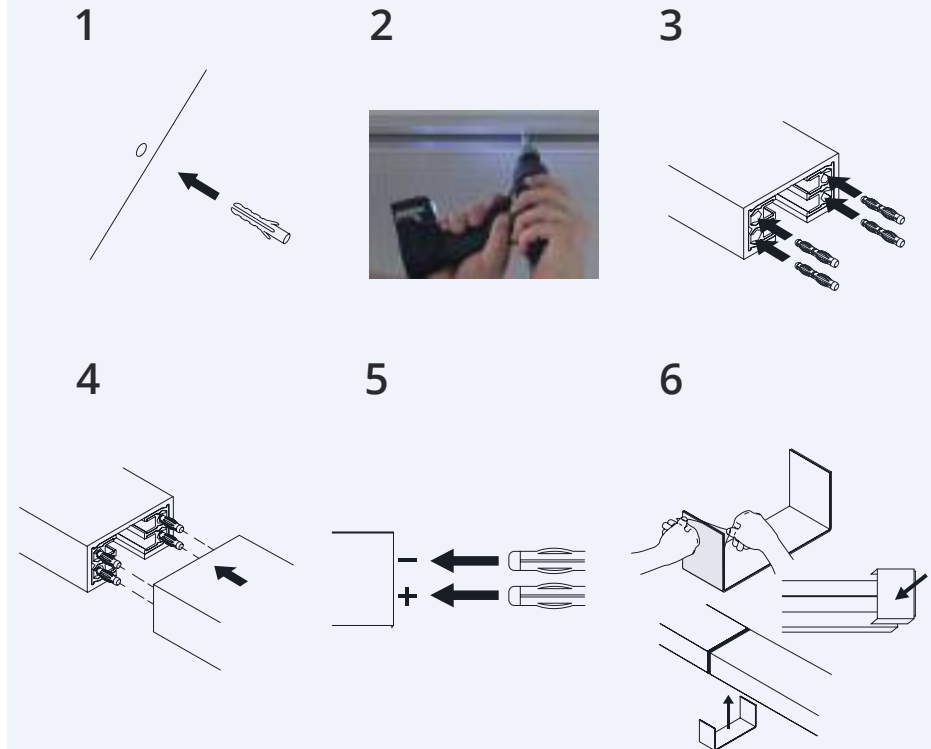
SPECIFICATIONS

- 1,1 meters long
- Aluminium anodised
- Can be installed on the wall or on the ceiling

DIMENSIONS



INSTALLATION STEPS





VI XPR FIXTURE SET

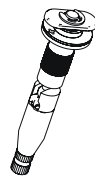
Ref: 1034815001 (300 CM)

Ref: 1030116001 (500 CM)

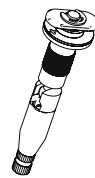
“ To hang all VM Displays and VM Light & Play ”



CONTENT



Positive fixture (x1)



Negative fixture (x1)



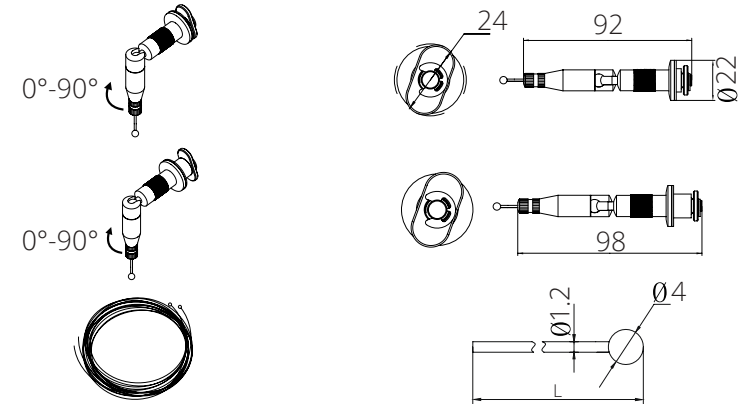
3 m pair of single hammer cable (x1)

SPECIFICATIONS

- Chromed brass material
- 90° angle depending if the rail is installed on the wall or on the ceiling

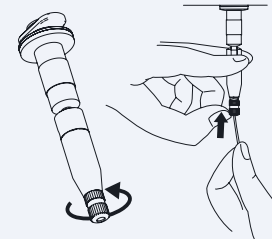


DIMENSIONS

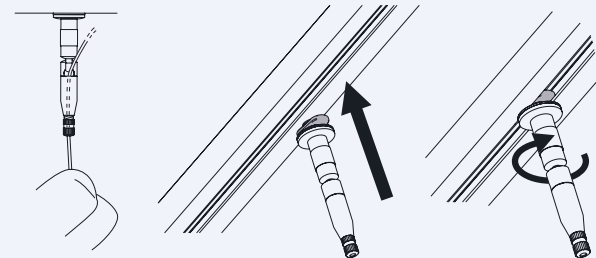


INSTALLATION STEPS

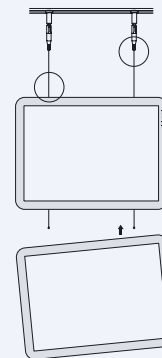
1



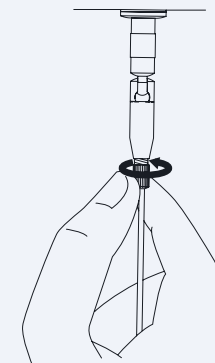
2



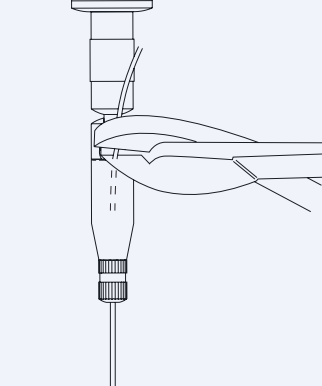
3



4



5



1030915001		X POWER RAIL 110CM		
Content		Rendering	3D Wireframe	2D Dimension (mm)
x1	Electrical rail			
x2	End cover			
x1	Rail cover			
x4	Banana plug			

1034815001		XPR FIXTURE SET 300CM		
1030116001		XPR FIXTURE SET 500CM		
Content		Rendering	3D Wireframe	2D Dimension (mm)
x1	Positive fixture			
x1	Negative fixture			
x2	Single hammer steel cable 300 cm OR 500 cm			

WINDOWS SOLUTIONS

XPR CEILING FIXTURE SET



XPR CEILING FIXTURE SET

Ref: 1031717002

“ Perfectly suitable for a single column and with large formats ”



CONTENT



Base (x2)



Fixture (x2)



Cover (x2)



3 m pair of single hammer cable (x1)



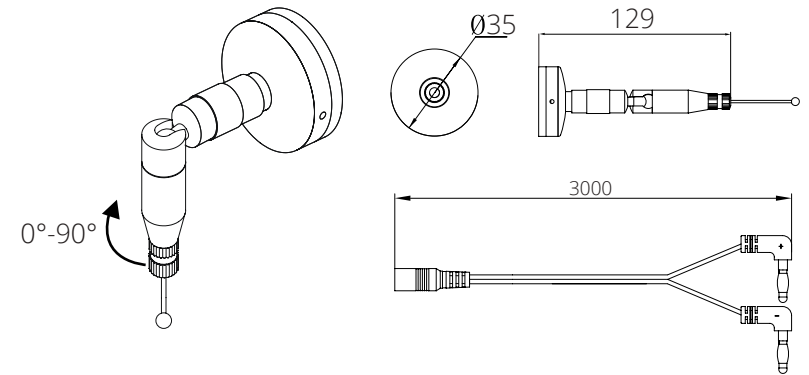
3 m electrical cable (x1)

SPECIFICATIONS

- Can be installed on wall or ceiling configuration thanks to 90° angle

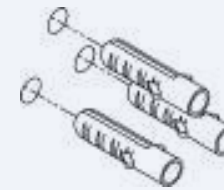


DIMENSIONS

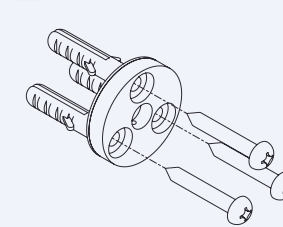


INSTALLATIONS STEPS

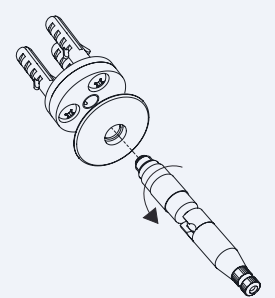
1



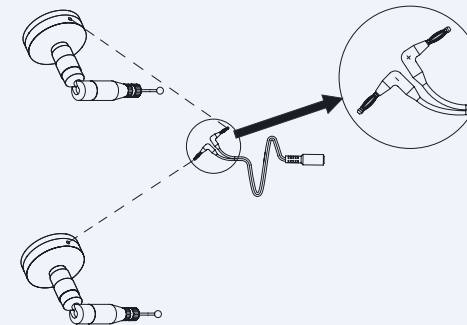
2


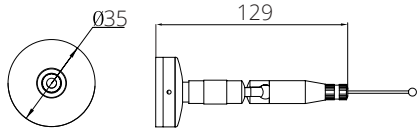
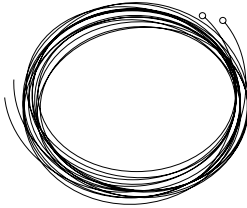
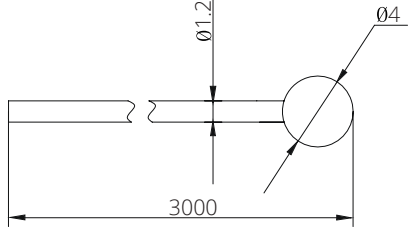



3



4



1031717002		XPR CEILING FIXTURE SET 300CM		
Content		Rendering	3D Wireframe	2D Dimension (mm)
x1	Pair of fixtures			
x1	3 m pair of single hammer cable			
x1	3 m white electrical cable			





XPR CEILING FIXTURE JIG LEVEL

Ref: 1033619001

- To mark the holes before drilling
- To level the marking

Perfectly suitable for vaulted ceiling



WINDOWS SOLUTIONS

VM START NOW



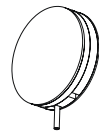
VM START NOW BASIC SET

Ref: 1033718001

“ Perfectly suited when fixing is not possible ”



CONTENT



Rotating pad (x2)



3 m pair of single hammer cable (x1)



Adhesive pad (x5)

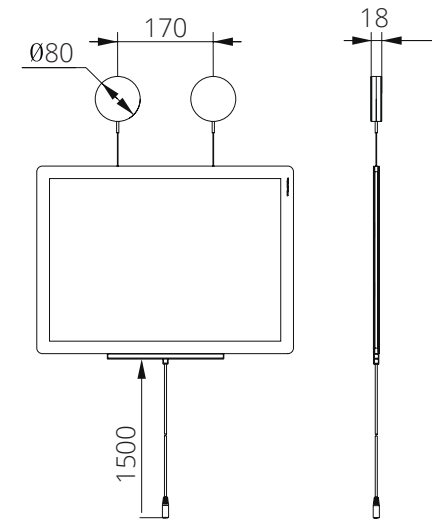


VM Two Connector (x1)

SPECIFICATIONS

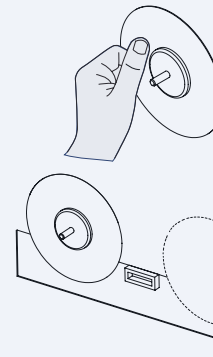
- Hanged weight up to 8 kg
- Adhesive pad can only be used one time and are exclusively compatible with glazed surfaces

DIMENSIONS

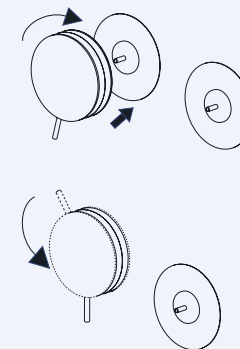


INSTALLATIONS STEPS

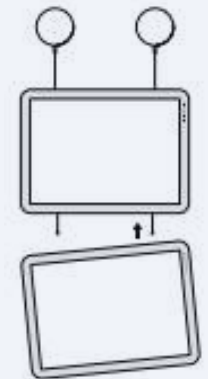
1



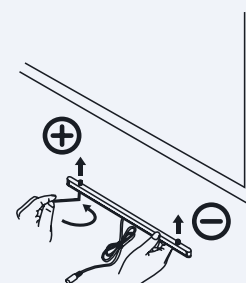
2


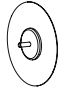
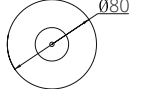
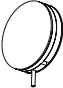
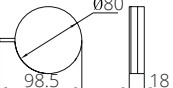

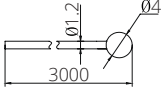

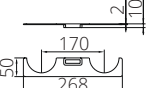
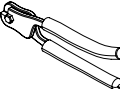
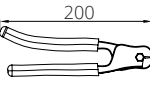

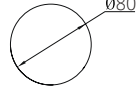

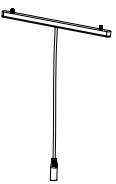
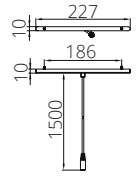

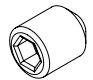
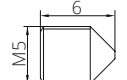


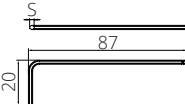





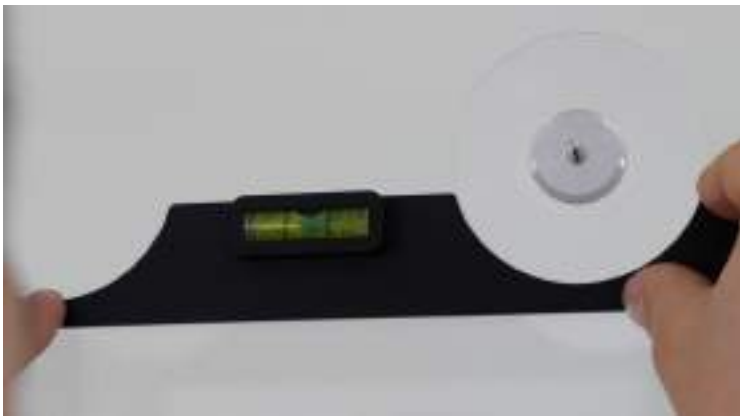
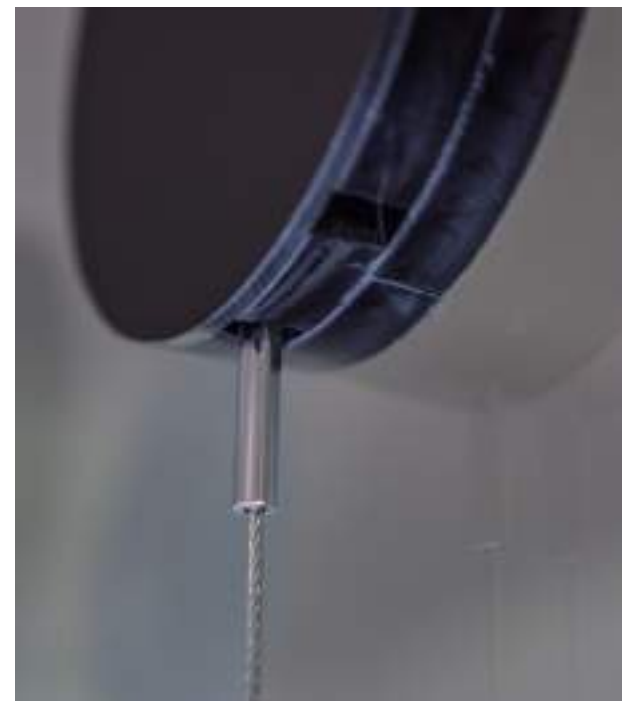
3



4



1033718001		START NOW BASIC SET			
Content		Rendering	3D Wireframe	2D Dimension (mm)	
x10	adhesive pad				
x2	rotating pad				
x2	steel cable 300 cm				
x1	installation jig				
x1	cutting pliers				
x10	stickers				
x1	VM TWO CONNECTOR				
x5	set screw				
x1	allen key S2.5				
x1	allen key S3				
x1	30W power supply				
x4	multi AC plugs: EU US UK AUS				







WINDOWS SOLUTIONS

ACCESSORIES







VM TWO TILTED SET

Ref: 1034916002

“ To tilt A3 landscape, A4 landscape and A4 portrait ”



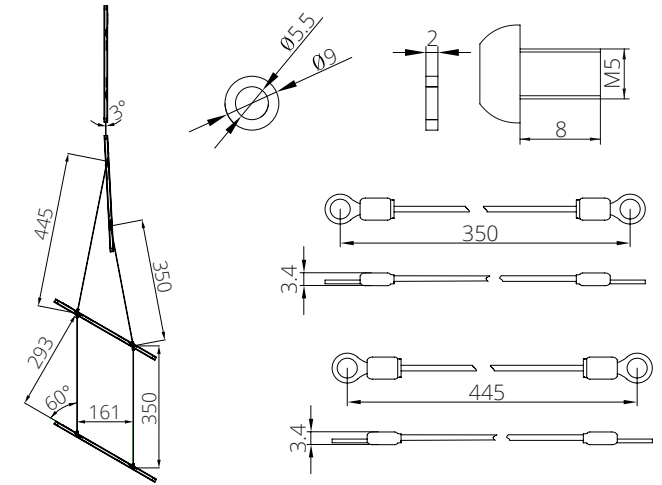
CONTENT

- | | |
|--|--|
|  |  |
| Cable 445 mm (x2) | Screw (x8) |
|  |  |
| Cable 350 mm (x4) | Ring (x8) |

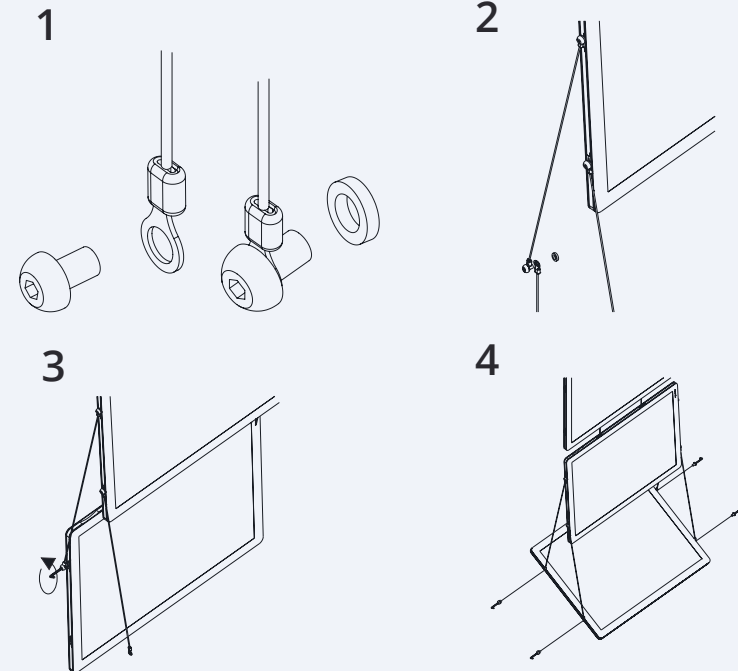
SPECIFICATIONS

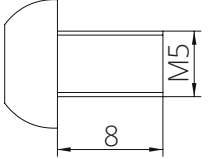
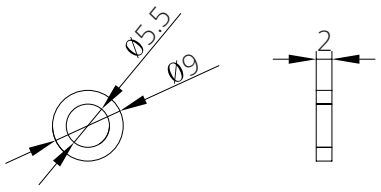
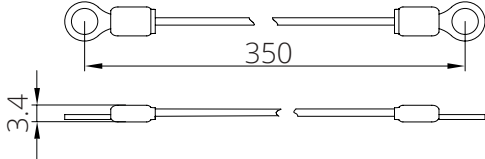
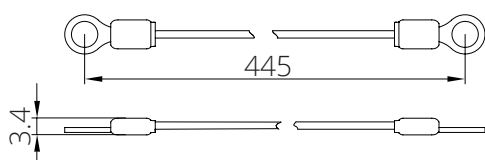
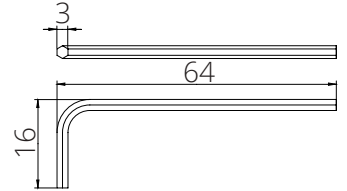
- Always need a non-tilted display at the top of the column
- Tilted angle not adjustable
- Only compatible when the rail is installed on the ceiling

DIMENSIONS

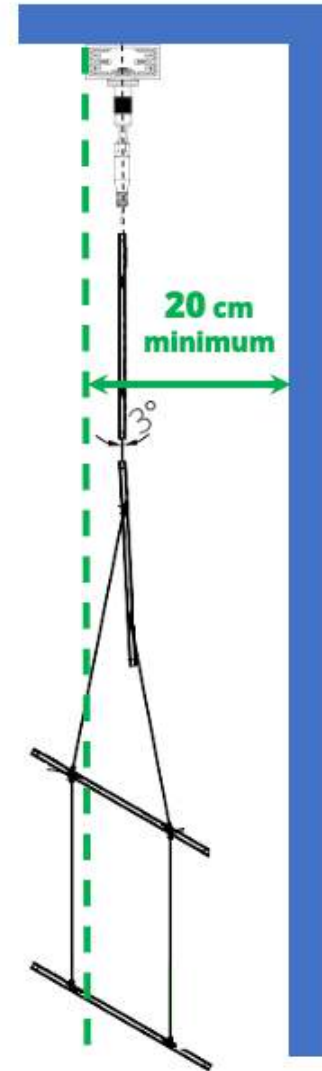


INSTALLATION STEPS

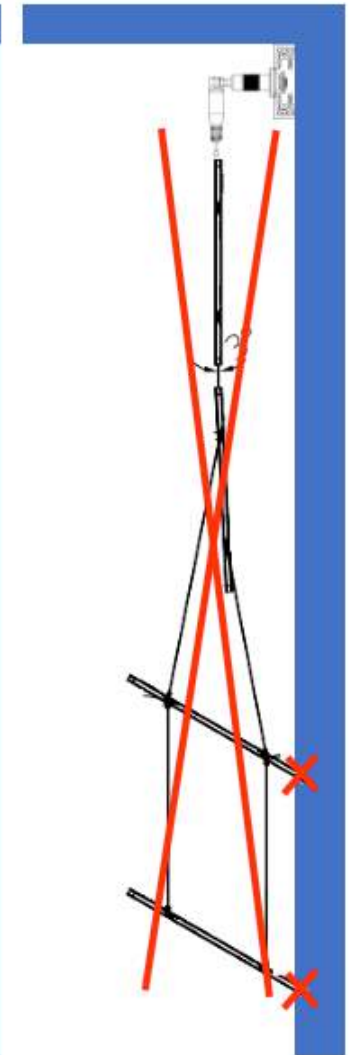


1034916002		
Content		2D Dimension (mm)
x8	screw	
x8	ring	
x4	steel cable 350 mm	
x2	steel cable 445 mm	
x1	allen key S3	

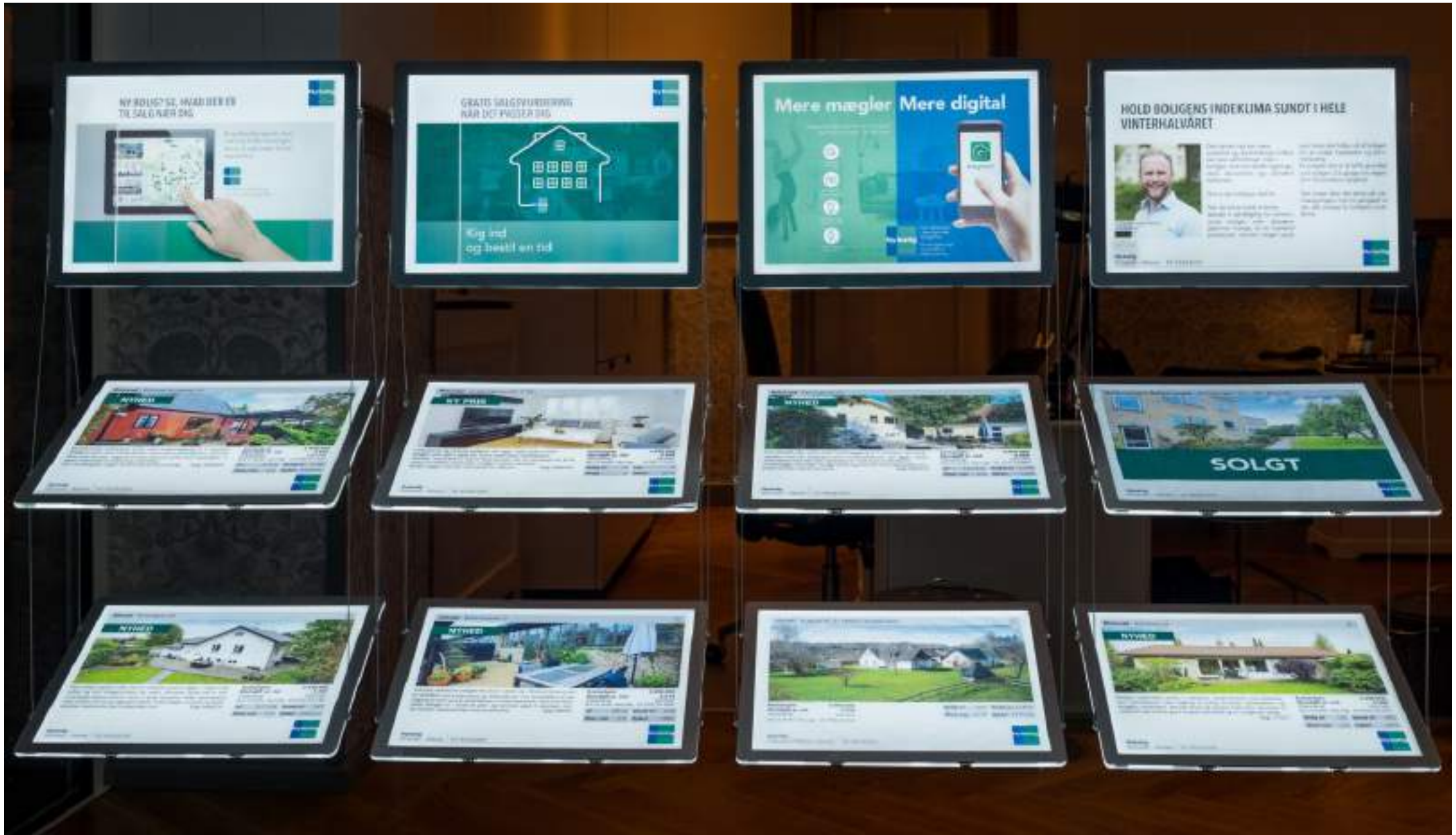
Compatible
when rail installed
on the ceiling



Not compatible
when rail installed
on the wall







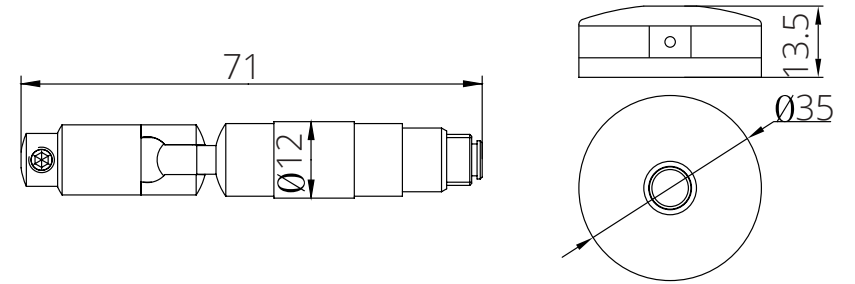


WI XPR GROUND FIXTURE SET
Ref: 1032215001


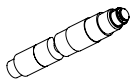


“ To fix the column to the ground ”



DIMENSIONS



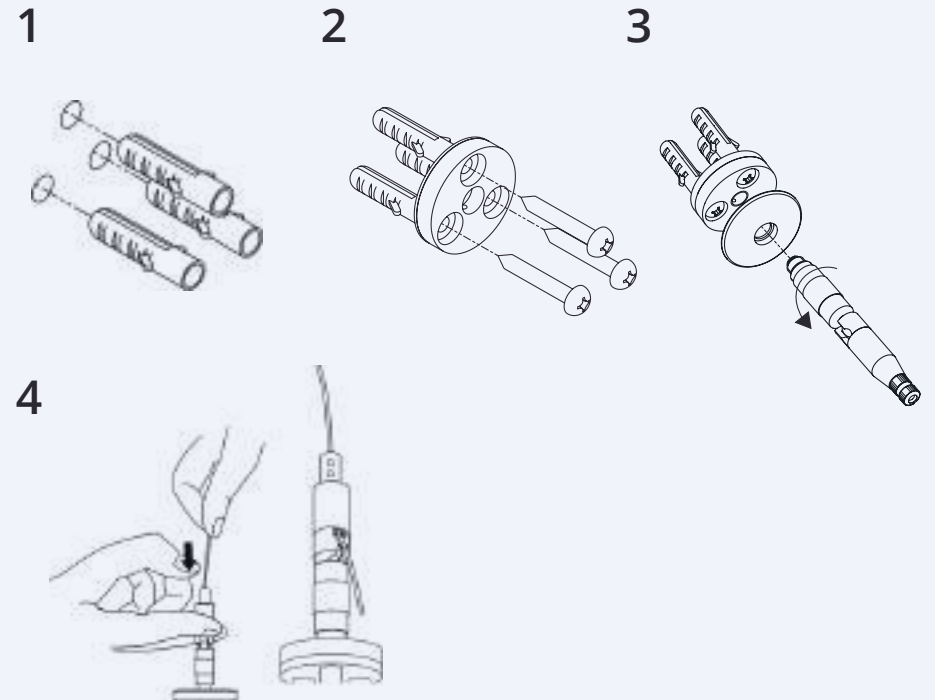
CONTENT

- | | |
|--|---|
|  |  |
| Base (x2) | Fixture (x2) |
|  |  |
| Cover (x2) | 3 m pair of single hammer cable (x1) |

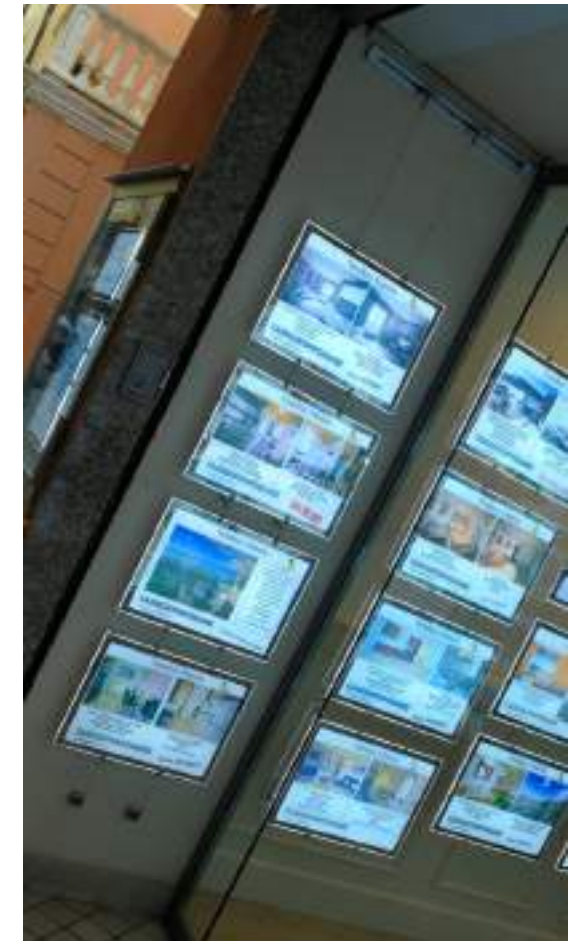
SPECIFICATIONS

- Can be installed
- On the floor
 - Or on the wall thanks to the 90° angle

INSTALLATION STEPS



1032215001		XPR GROUND FIXTURE SET		
Content		Rendering	3D Wireframe	2D Dimension (mm)
x2	base plate			
x2	fixture			
x6	dowel			
x1	allen key S2			
x2	single hammer steel cable 300 cm			
x6	screw			

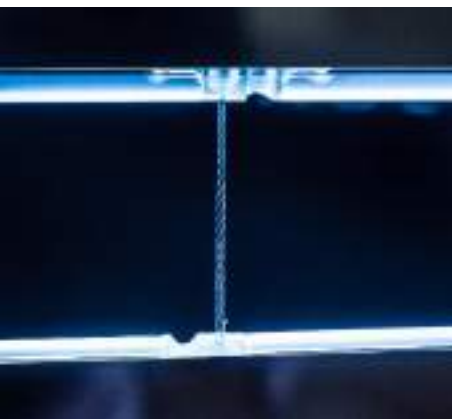


Alternative
with
X Power Rail

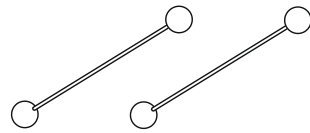


VI PAIR OF CABLES

“ To set the distance between 2 displays ”



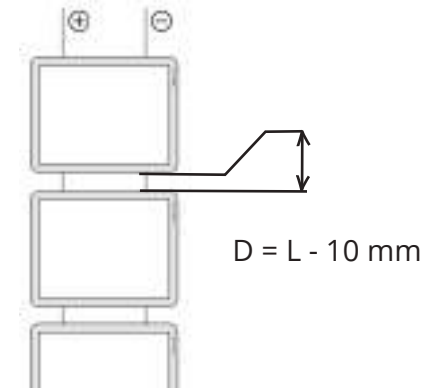
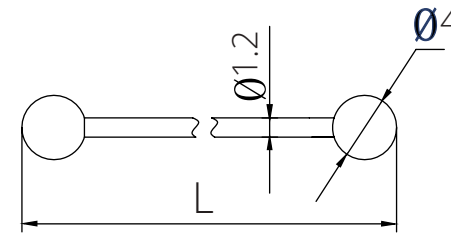
CONTENT



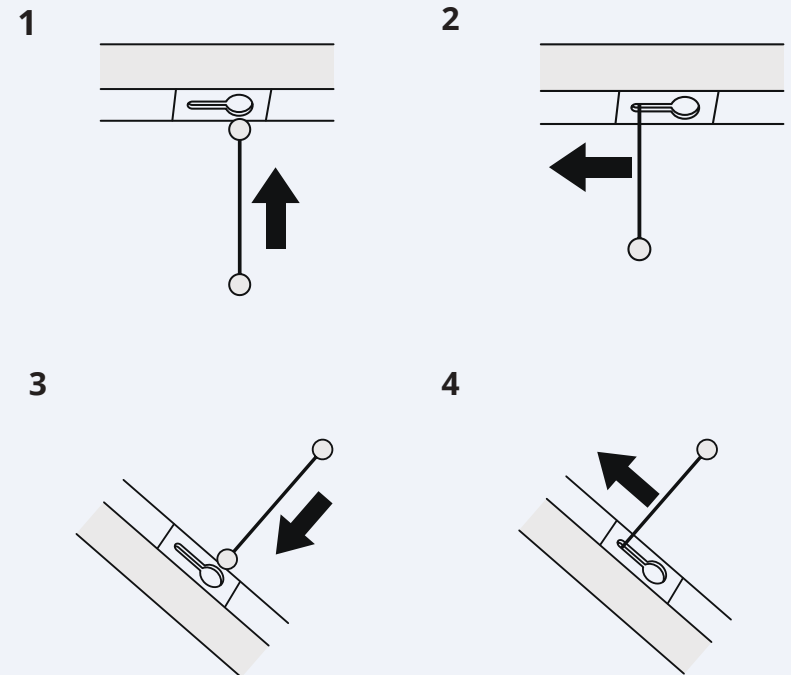
Double hammer cable (x2)

1030316010	PAIR OF CABLES 25MM
1030316011	PAIR OF CABLES 30MM
1030316003	PAIR OF CABLES 48MM
1033417001	PAIR OF CABLES 53.5MM
1030316007	PAIR OF CABLES 65MM
1030316008	PAIR OF CABLES 90MM
1033417002	PAIR OF CABLES 94.5MM
1030316004	PAIR OF CABLES 150MM
1030316005	PAIR OF CABLES 200MM
1030316009	PAIR OF CABLES 358MM
1030316006	PAIR OF CABLES 428MM

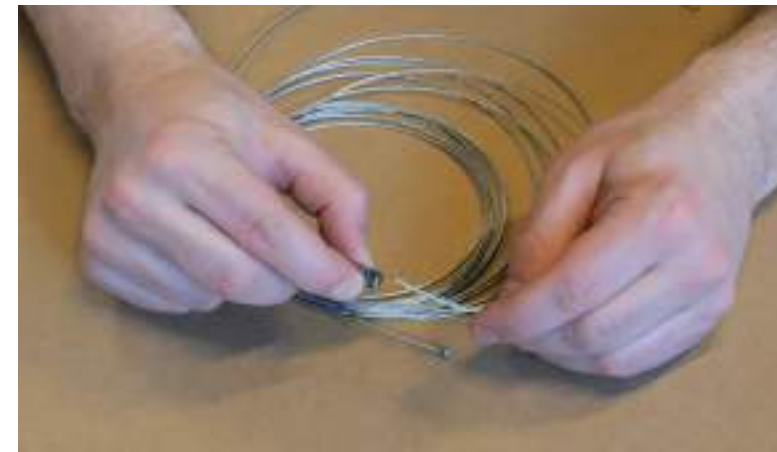
DIMENSIONS



INSTALLATIONS STEPS



Reference	1030316013	1030316012	1034518002
Product	XPR PAIR OF CABLES 300CM	XPR PAIR OF CABLES 500CM	XPR BI-MATERIAL CABLES 300CM
Picture			
Drawing			
Comments	All power supplies	To use in case of high ceiling.	To use with each column containing a L&P. Included with the L&P.



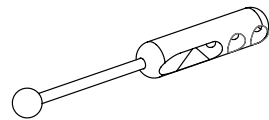
VI PAIR OF CABLES ADJUSTABLE

Ref: 1035019001

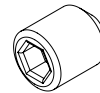
“ To adjust the distance between 2 displays ”



CONTENT



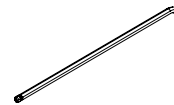
Adjuster (x2)



Set screw (x4)



1 m pair of single hammer cable (x1)

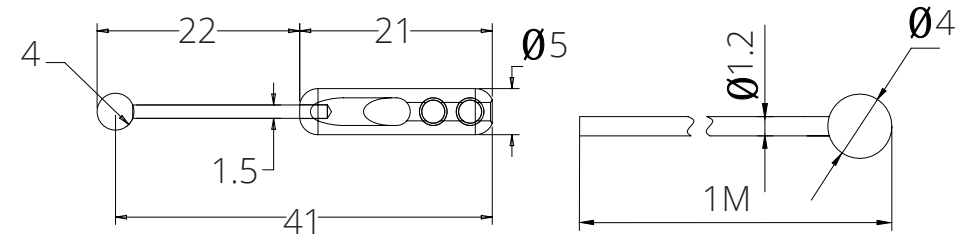


Allen key (x1)

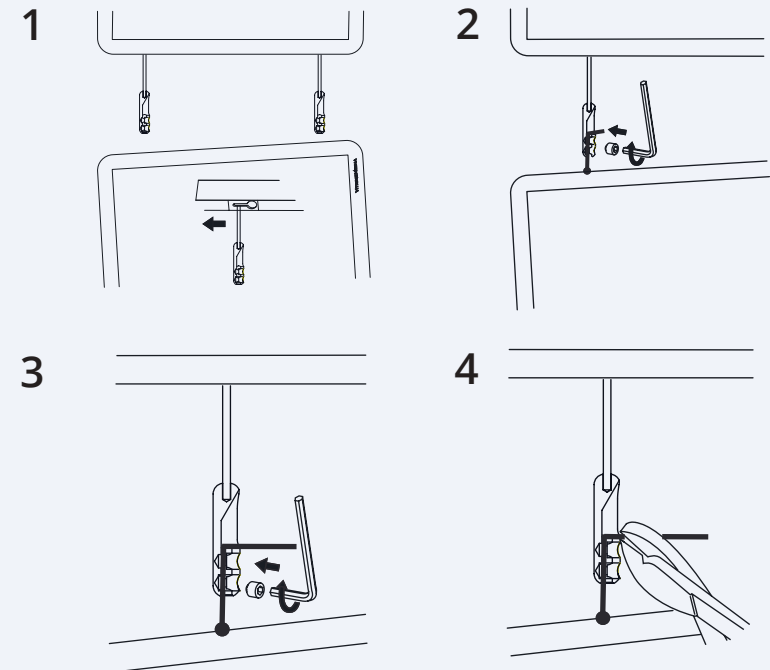
SPECIFICATIONS

- Adjustment from 6 cm to 1 m
- Weight limitation : 12 kg under 1 pair: 10 A4 / 6 A3 / 3 A2 / 1 A1 / 2 L&P

DIMENSIONS



INSTALLATIONS STEPS



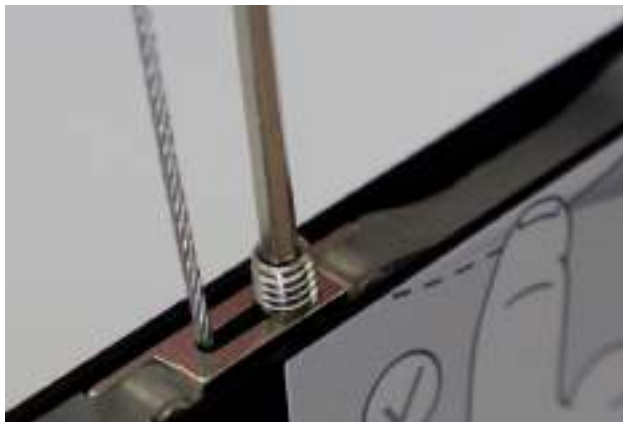
BEFORE

AFTER



VM TWO SECURE SET

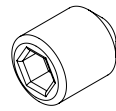
Ref: 1034916001



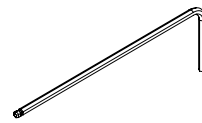
“ To secure the large formats ”



CONTENT



Set screw (x4)

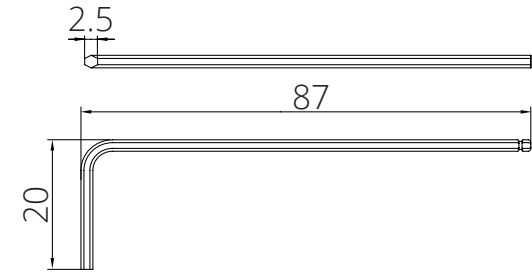
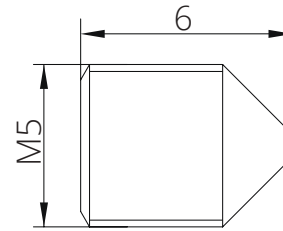


Allen key s2.5 (x1)

SPECIFICATIONS

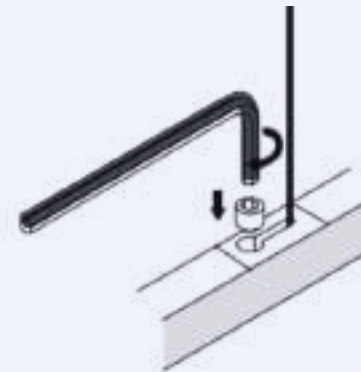
- Is only provided with A0, A1 and other large format displays
- Is not provided with A4, A3 and A2
- Is only compatible with VM Two, not with VM One Hybrid

DIMENSIONS

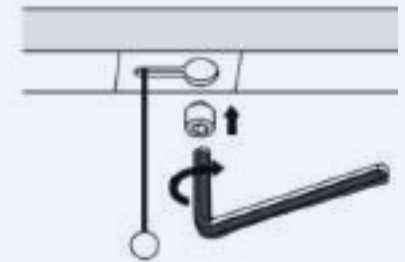


INSTALLATIONS STEPS

1



2



STAND ALONE SOLUTIONS

SOLUTIONS AND BENEFITS

Reference	1052115001	1052017001	1053519001	1051320001	1051320003	1051320002
Picture						
Product	VM MOBILE STAND EASY LIP	VM BOX PREMIUM	VM STAND A0 V - 120x80 V	VM SUPERLIGHT KIOSK	VM SUPERLIGHT SINGLE	VM SUPERLIGHT STAND
Color	Black mat	Black mat	Transparent	Black	Black	Black
Display compatibility	VM Two Clip	VM Two Clip	VM Two	VM Superlight	VM Superlight	VM Superlight
Format compatibility	A4 / A3 / A2 / A1 L&P	A4 / A3 / A2	A0 V / 120x80 V	A4 / A3	A4 / A3	A3 / A2
Double sided	☑	☑	☑	☒	☒	☒
Hybrid / Unmountability	☑	☑	☒	☒	☒	☒

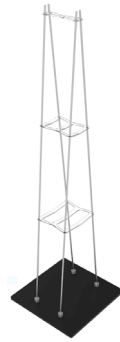
STAND ALONE SOLUTIONS

VM MOBILE STAND EASY CLIP

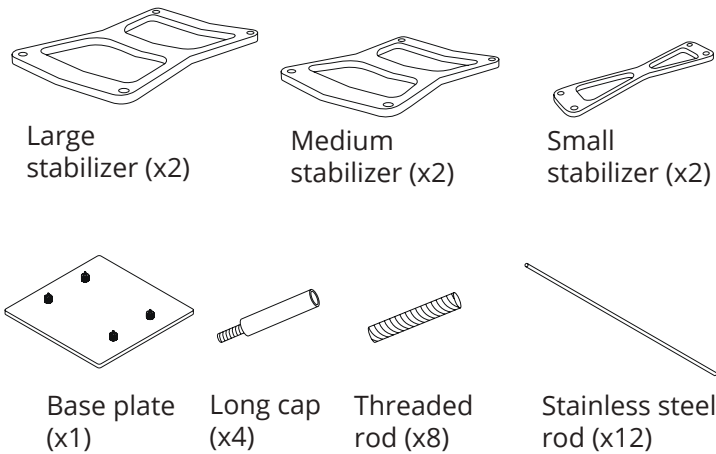
VM MOBILE STAND EASY CLIP

Ref: 1052115001

“ Simple and quick to assemble and disassemble ”



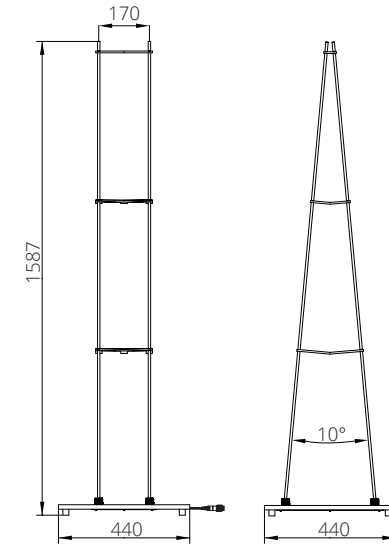
CONTENT



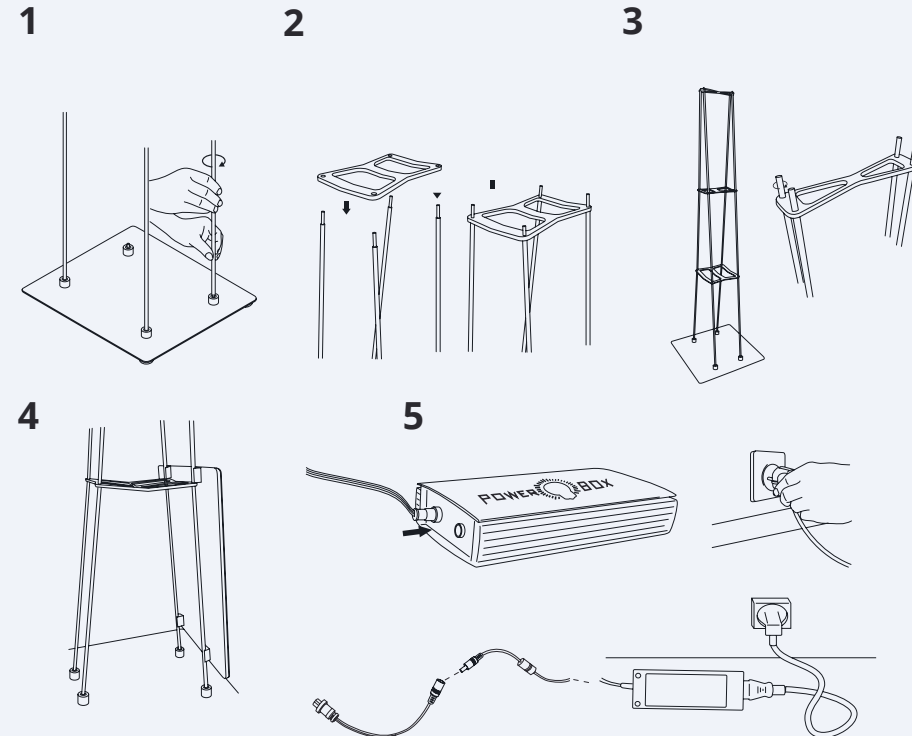
SPECIFICATIONS


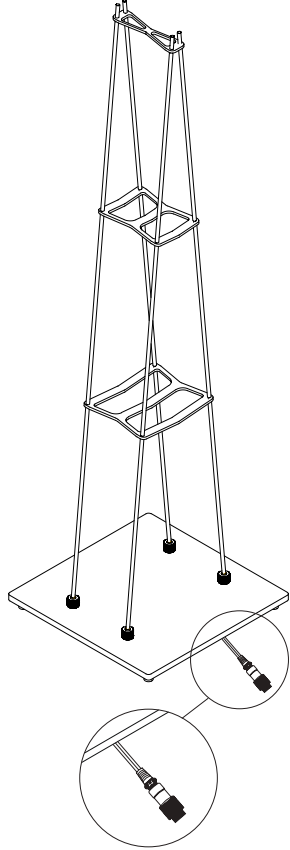
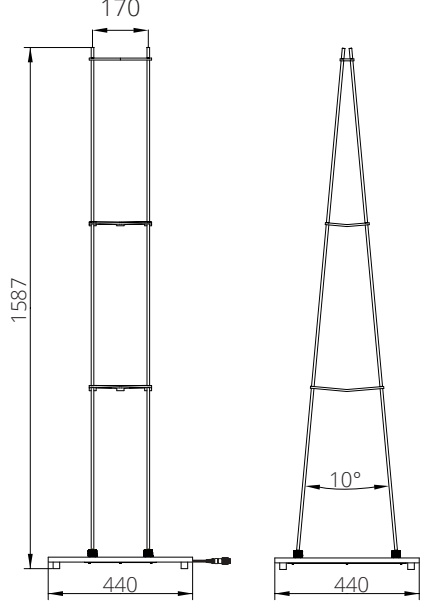
- MDF mat painted base plate
- Stainless steel rods
- Acrylic stabilizers

DIMENSIONS



INSTALLATION STEPS



1052115001		VM MOBILE STAND EASY CLIP		
Content		Rendering	3D Wireframe	2D Dimension (mm)
x1	black base plate			
x12	steel rod			
x8	threaded rod			
x3	acrylic stabilizer			
x4	end cap			

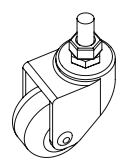
WHEELS ADD ON

Ref: 1032215001

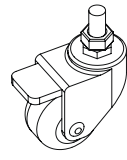
“ To move the VM Mobile Stand Easy Clip ”



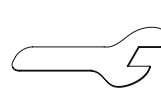
CONTENT



Wheel (x2)



Wheel with break (x2)

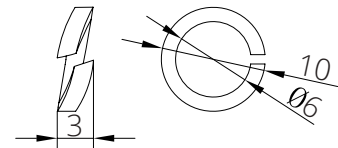
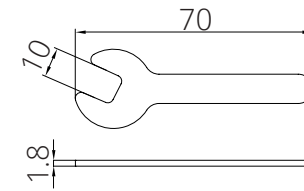
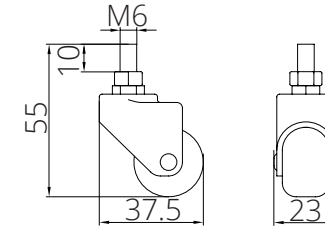


Wrench (x1)



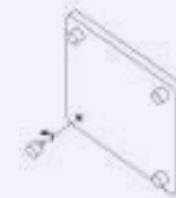
Washer (x1)

DIMENSIONS

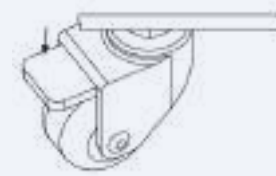


INSTALLATION STEPS

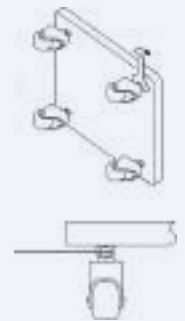
1



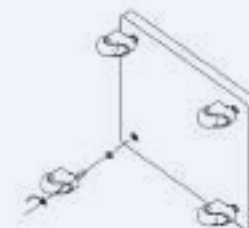
2



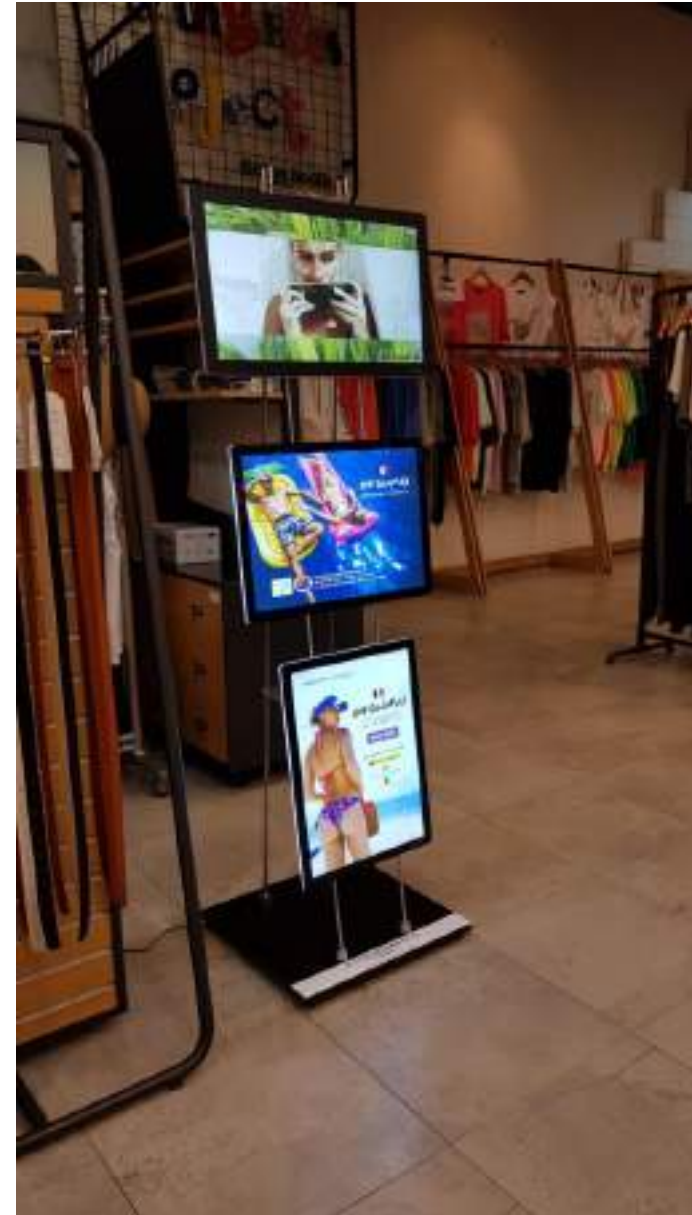
3

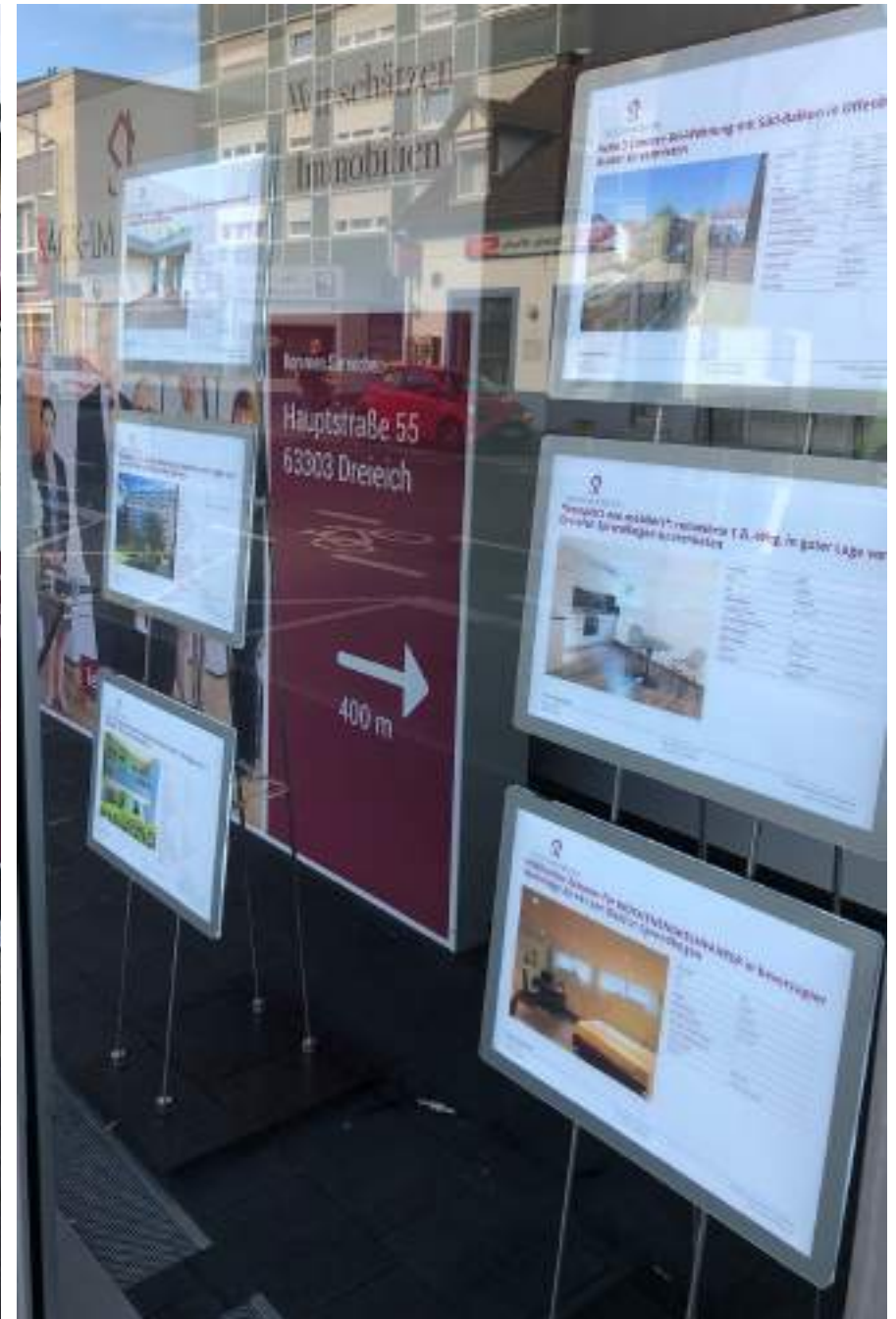


4









STAND ALONE SOLUTIONS

VM BOX PREMIUM

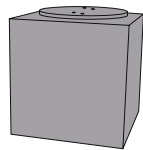
VM BOX PREMIUM

Ref: 1052017001

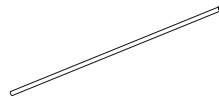
“ Double sided clip-on mounting stand ”



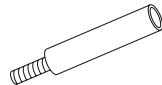
CONTENT



Base (x1)



Aluminium rod (x12)



Long cap (x4)



Stabilizer (x3)

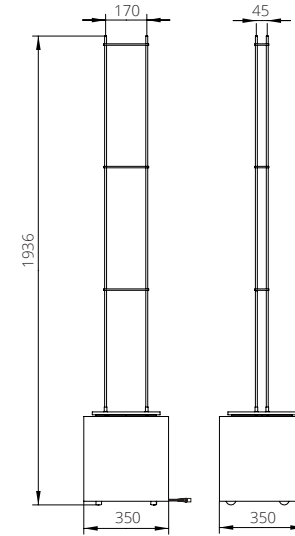


Threaded rod (x8)

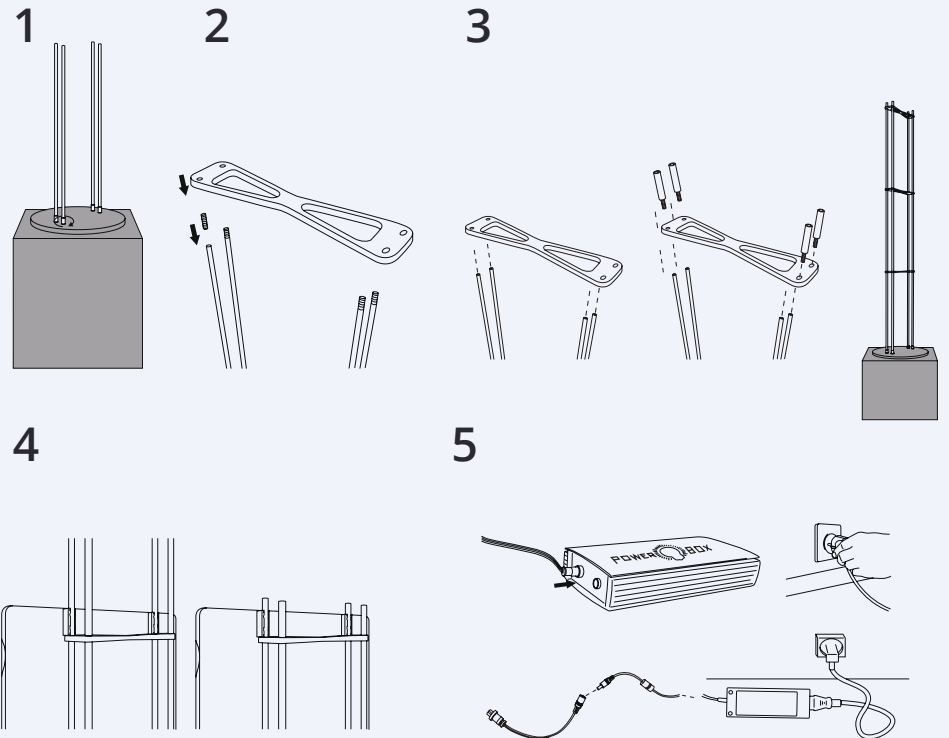
SPECIFICATIONS


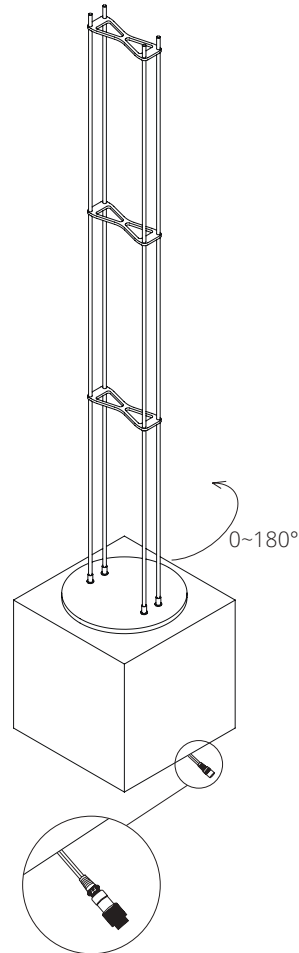
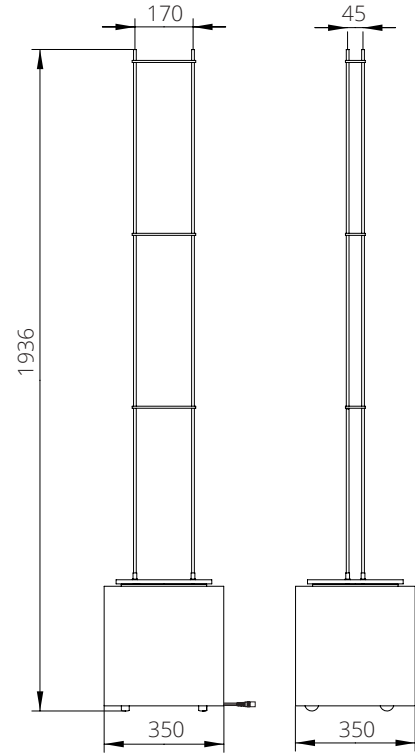
- MDF mat painted base
- Aluminium rods
- Acrylic stabilizers
- Can rotate 180°

DIMENSIONS



INSTALLATION STEPS



1052017001		VI BOX PREMIUM		
Content		Rendering	3D Wireframe	2D Dimension (mm)
x1	black base			
x12	aluminum rod			
x8	threaded rod			
x3	acrylic stabilizer			
x4	end cap			





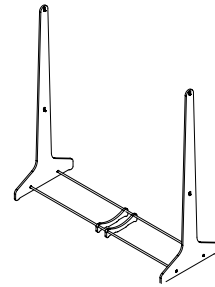
STAND ALONE SOLUTIONS

VM STAND A0 V - 120x80 V

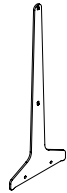
VM STAND A0 V - 120x80 V

Ref: 1053519001

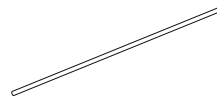
“ Suitable for welcoming area and counter ”



CONTENT



Acrylic foot (x2)



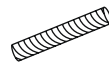
Aluminium rod (x12)



Electrical cable (x2)



Stabilizer (x3)

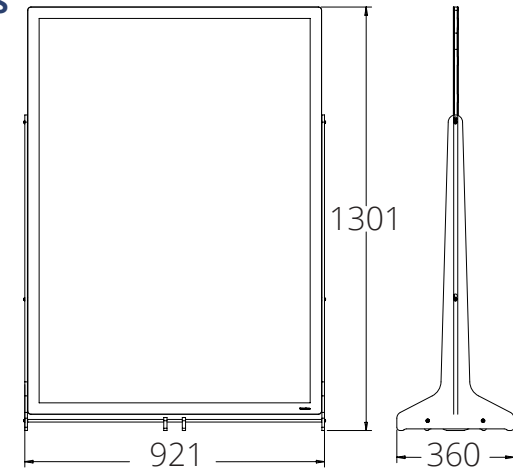


Threaded rod (x8)

SPECIFICATIONS

- Acrylic transparent feet
- Aluminium rods
- Acrylic stiffener

DIMENSIONS



INSTALLATION STEPS





STAND ALONE SOLUTIONS

VM SUPERLIGHT KIOSK

VM SUPERLIGHT KIOSK

Ref: 1052017001

“ Suitable for car dealerships ”

CONTENT



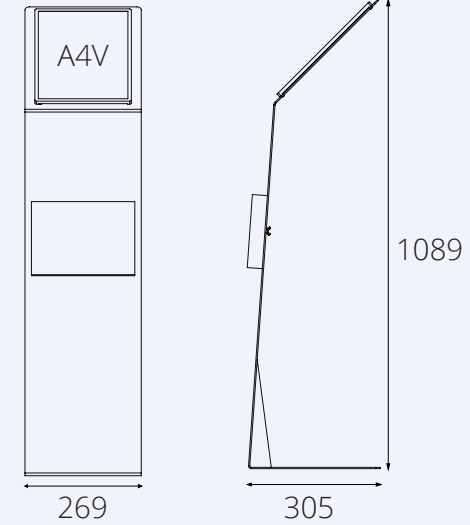
Steel structure (x1)
Document holder (x1)
Pair of adhesive pads (x1)
Metal plate (x1)
Set of butterfly nuts
Set of plastic clip

SPECIFICATIONS

- 3 mm steel structure, black mat painted
- Clipable acrylic document holder
- Adhesive pads if need to pasted it on the floor
- Compatibility: A4V, A3V and A3H



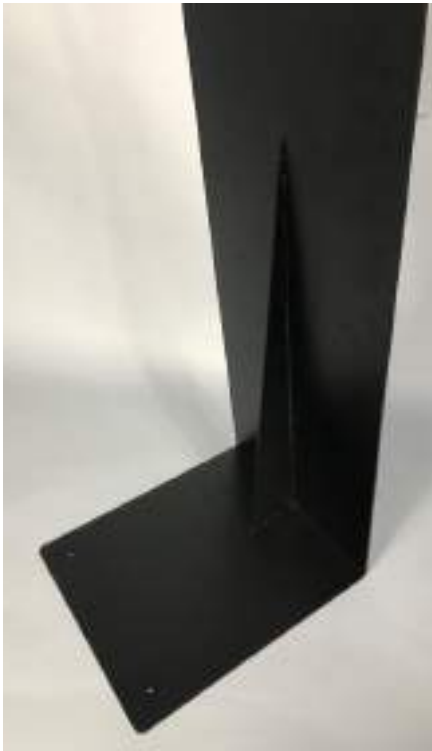
DIMENSIONS



A4

A3





STAND ALONE SOLUTIONS

VM SUPERLIGHT SINGLE

VM SUPERLIGHT SINGLE

Ref: 1052017001

“ Perfect as a menu holder ”



CONTENT

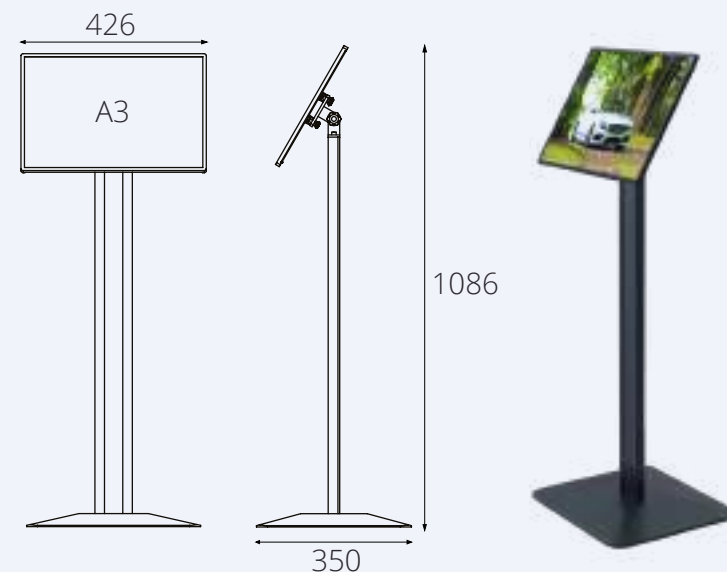
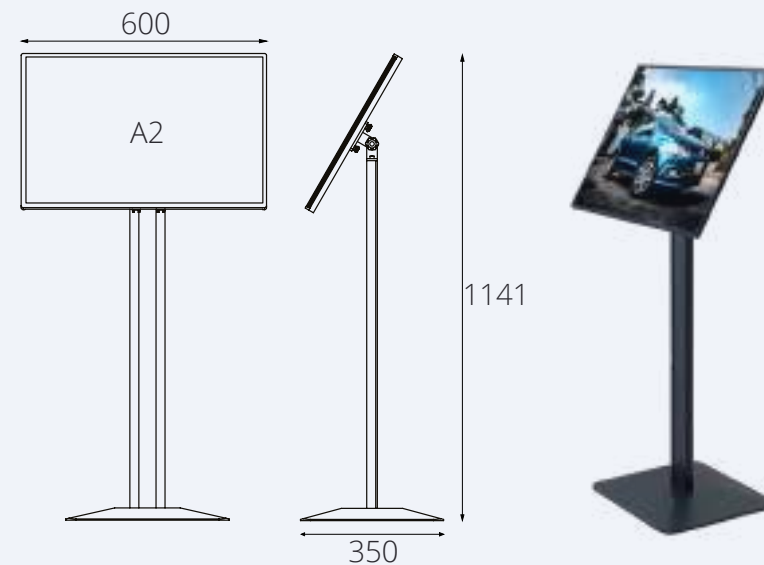


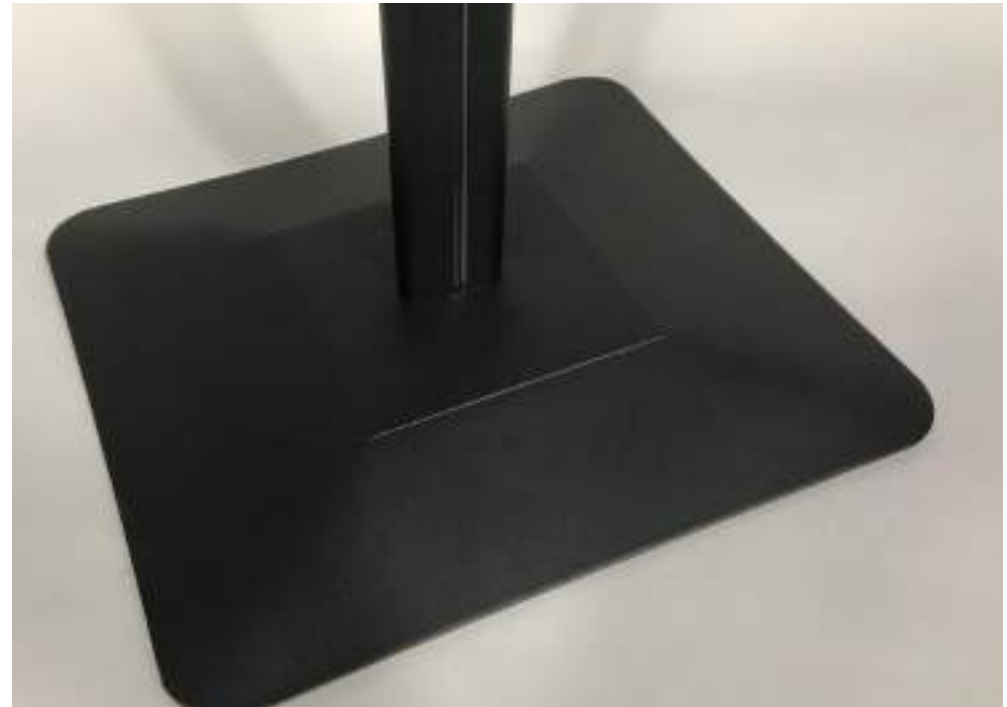
Stamped plate (x1)
Pole (x1)
Knee joints (x1)
Metal plate (x1)
Set of butterfly nuts
Set of plastic clip

SPECIFICATIONS

- Stamped based plate, black mat painted
- Black aluminium profile pole
- Knee joint to adjust the angle

DIMENSIONS





STAND ALONE SOLUTIONS

VM SUPERLIGHT STAND



VM SUPERLIGHT STAND

Ref: 1051320002

“ Occupies as little space as possible ”

CONTENT

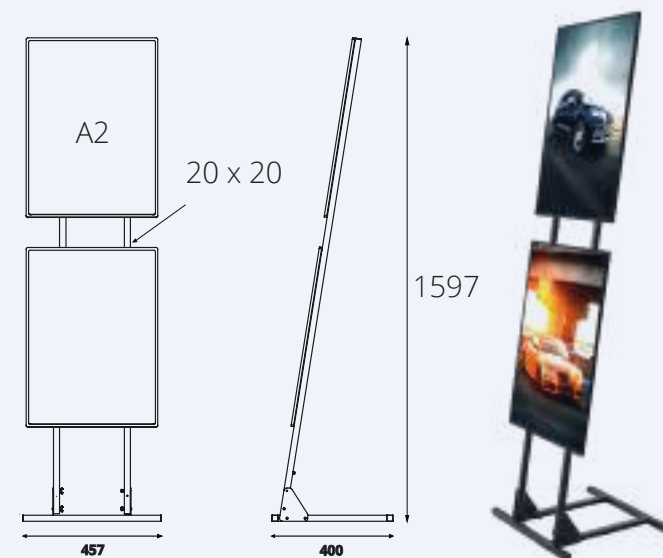


Tubes (x2)
Base (x1)
Set of butterfly nuts
Set of plastic clip

SPECIFICATIONS

- 20x20 mm steel tube structure, black mat painted

DIMENSIONS





DOCK SOLUTIONS

SOLUTIONS AND BENEFITS

Reference	1090216001	1095016001	1093019001
Picture			
Product	VM SINGLE	VM TWO DOCK	VM LIGHT&PLAY DOCK
Color	Black glossy	Black glossy	Black mat
Display compatibility	VM Two Clip	VM Two	VM Light & Play 21.5
Format compatibility	A4 V / A4 H A3 H A3 V not recommended due to lack of stability	A4 V / A4 H A3 H A3 V not recommended due to lack of stability	Any versions of VM Light & Play 21.5 Vertical or horizontal
Double sided	Any	Max 90W	Max 90W
Hybrid / Unmountability			
Angle of inclination	Adjustable (3 positions)	Straight	Straight

DOCK SOLUTIONS

VM TWO DOCK



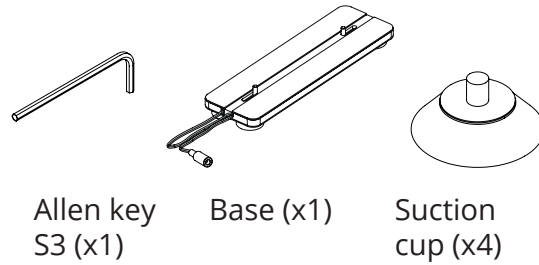
VM TWO DOCK

Ref: 1095016001

“ To enlighten your counter ”



CONTENT



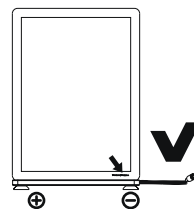
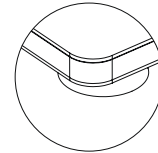
Allen key S3 (x1)

Base (x1)

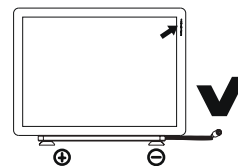
Suction cup (x4)

SPECIFICATIONS

- Compatible with VM TWO A4H, A4V and A3H
- The suction cups can be removed.
- Polarity front side :

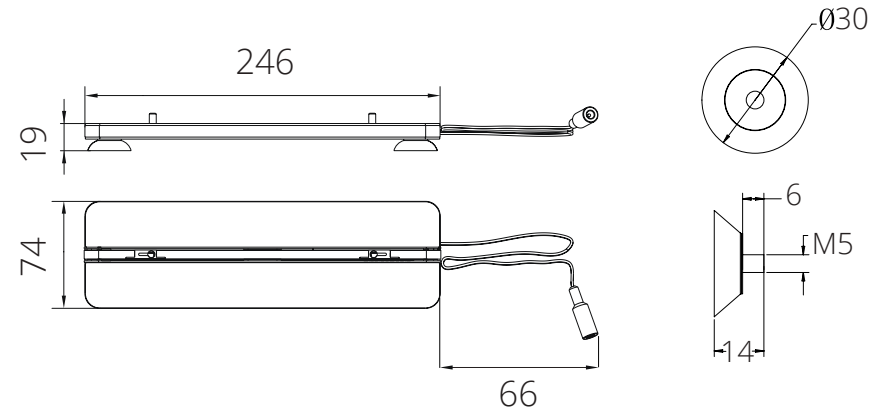


Vertical

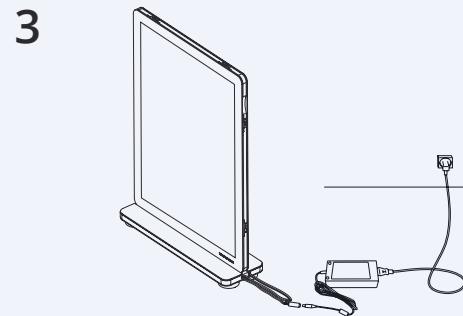
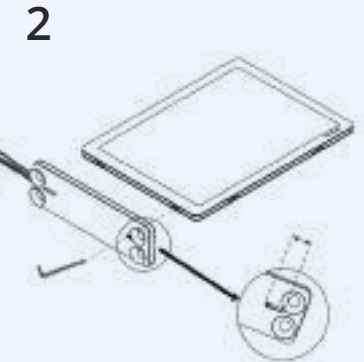
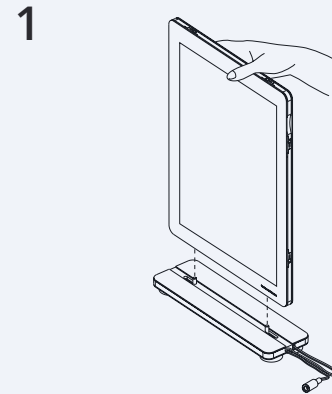


Horizontal

DIMENSIONS



INSTALLATION STEPS





DOCK SOLUTIONS

VM LIGHT&PLAY DOCK

VM LIGHT&PLAY DOCK

Réf : 1093019001

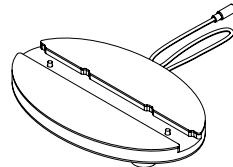
“ Digital communication on counter ”



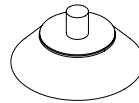
CONTENT



Allen key
S4 (x1)



Base (x1)



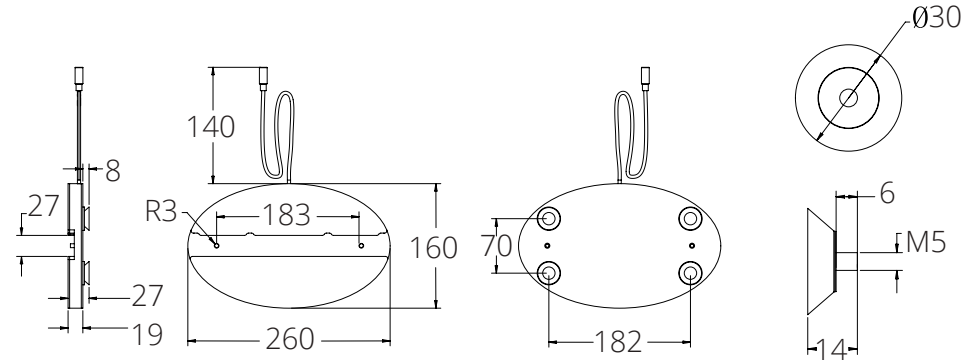
Suction cup (x4)

SPECIFICATIONS

- Compatible with any version of VM LIGHT&PLAY 21.5
- The suction cups can be removed



DIMENSIONS



INSTALLATION STEPS

Orientation portrait



Orientation landscape





DOCK SOLUTIONS

VM SINGLE



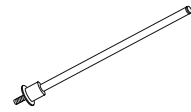
VM SINGLE

Ref: 1090216001

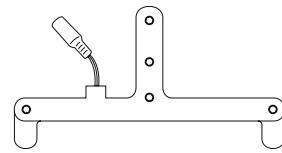
“ To enlighten your counter ”



CONTENT



Foot (x1)



Easel (x1)



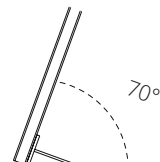
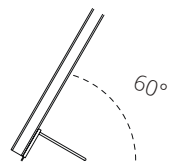
Sticker (x1)



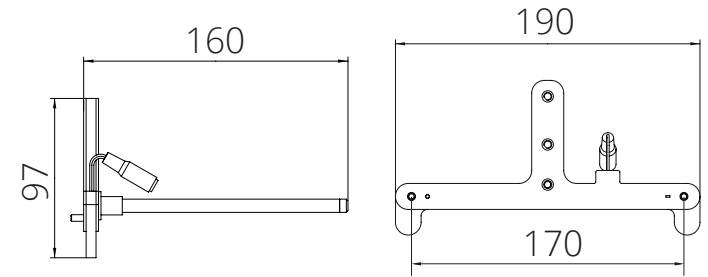
Allen key S3 (x1)

SPECIFICATIONS

- Compatible with VM TWO CLIP A4 V, A4 H and A3 H
- Angle adjustable

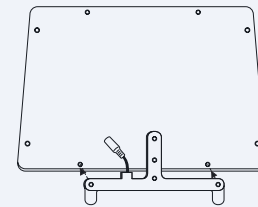


DIMENSIONS

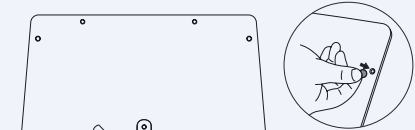


INSTALLATION STEPS

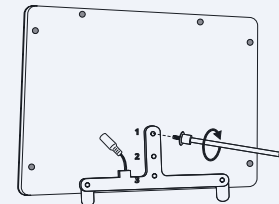
1



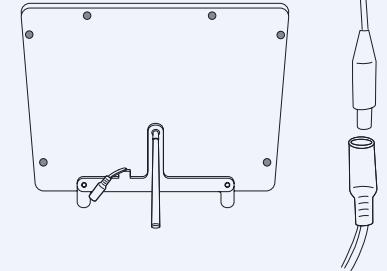
2

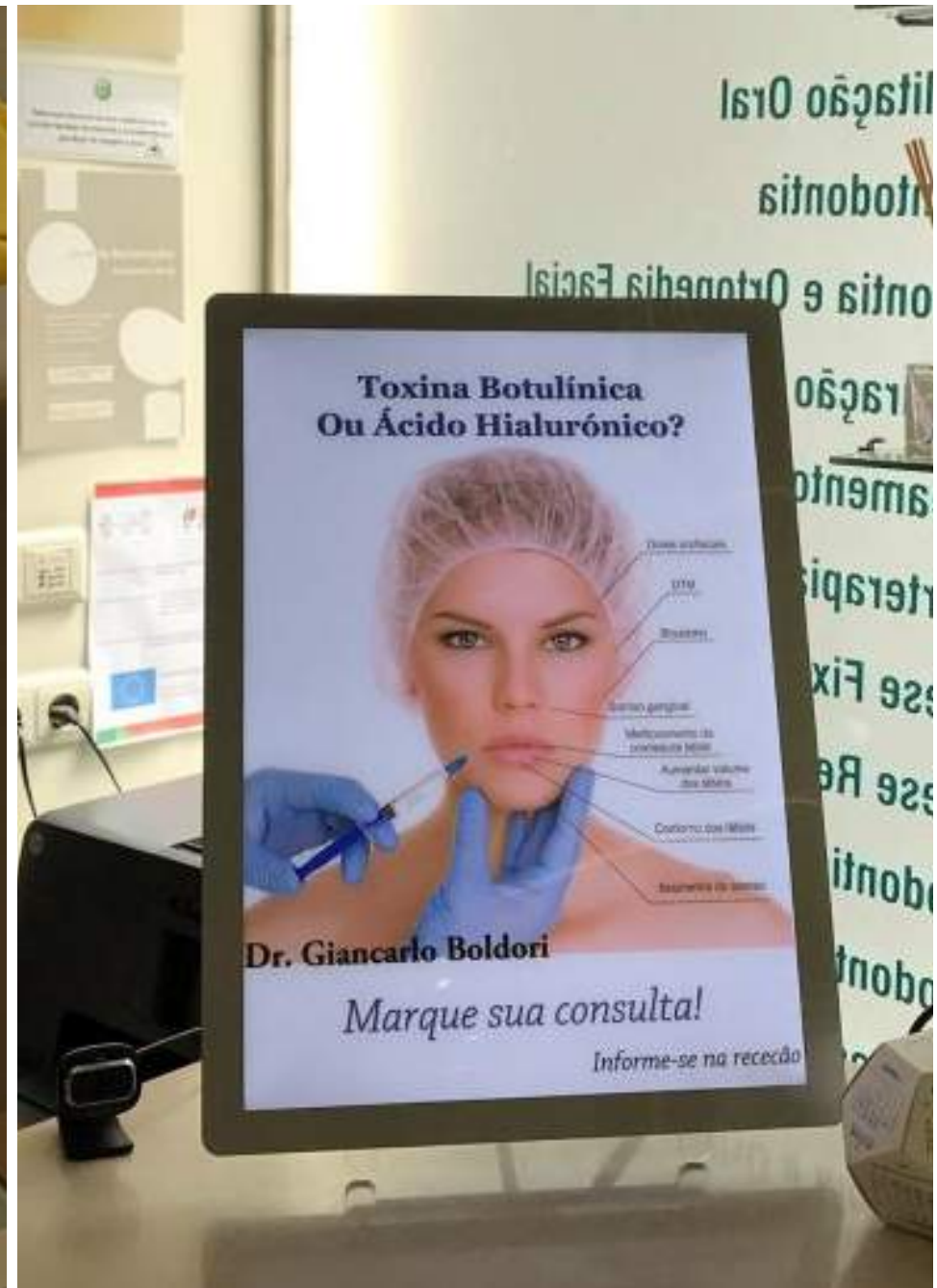


3



4





WALL SOLUTIONS

VM TWO WALL FIXTURE SET

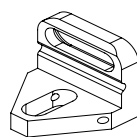
VM TWO WALL FIXTURE SET

Ref: 1083817001

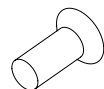
“ To wall mount any VM Two, Sign, Diamond and Banner ”



CONTENT



Fixture (x4)



Screw (x4)



Bushing (x4)



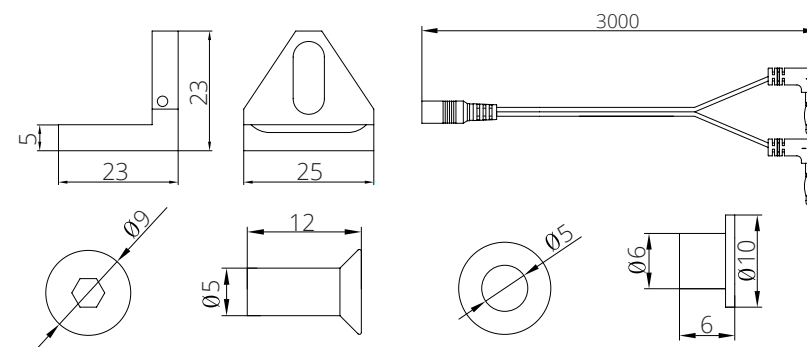
Electrical cable (x1)

SPECIFICATIONS

- Compatible with any VM Two, VM Sign, VM Diamond and Banner
- Enable to fix the first display to the wall, and hang others below



DIMENSIONS



INSTALLATION STEPS

1



2

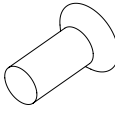
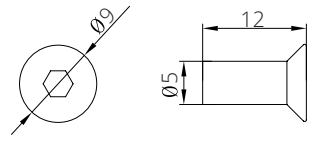

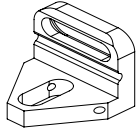
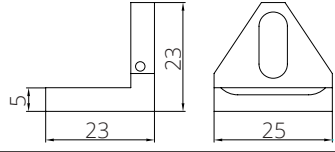
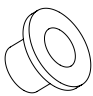
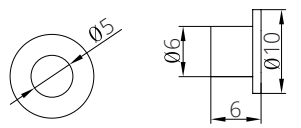

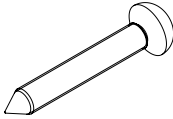
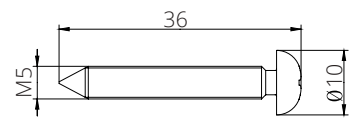
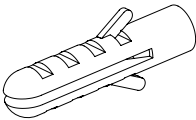
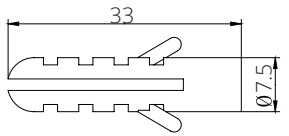
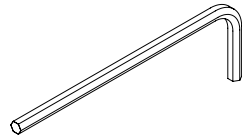
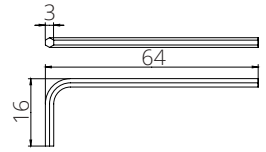

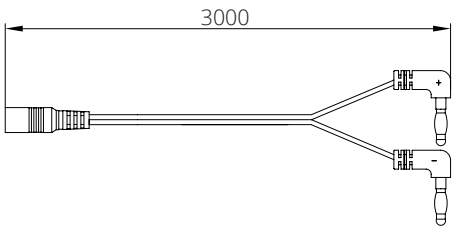


3



4



1083817001		VM TWO WALL FIXTURE SET		
Content		Rendering	3D Wireframe	2D Dimension (mm)
x4	screw			
x4	clamp			
x4	insulation bushing			
x4	tapping screw			
x4	dowel			
x1	allen key S3			
x1	cable 3M			









WALL SOLUTIONS

VM WALL

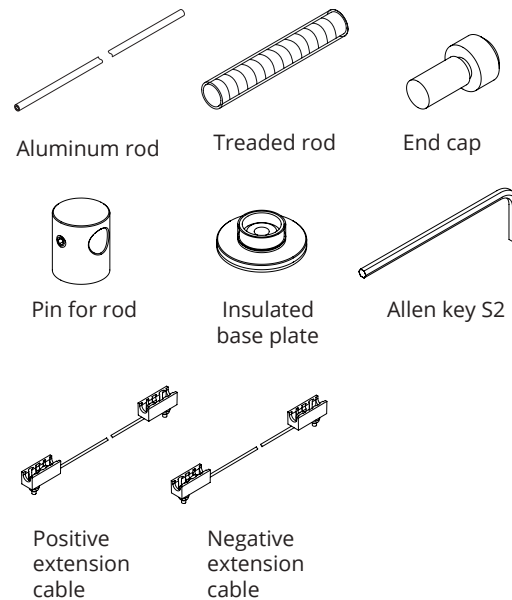


Réf : 1080216001

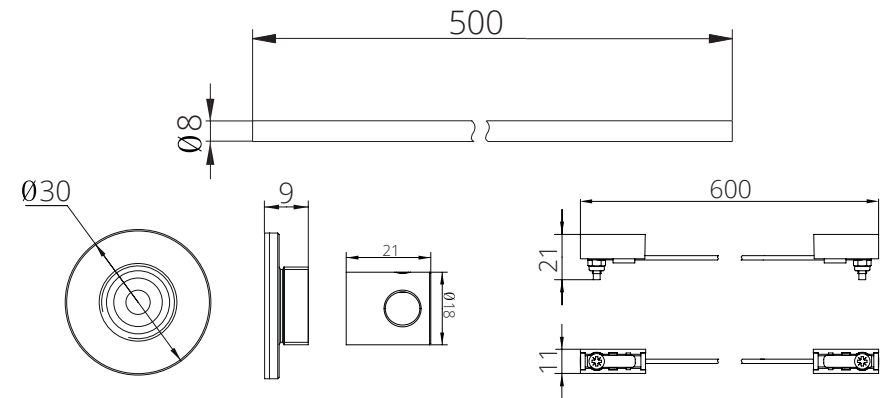
“ To mix formats and orientation on large distance ”



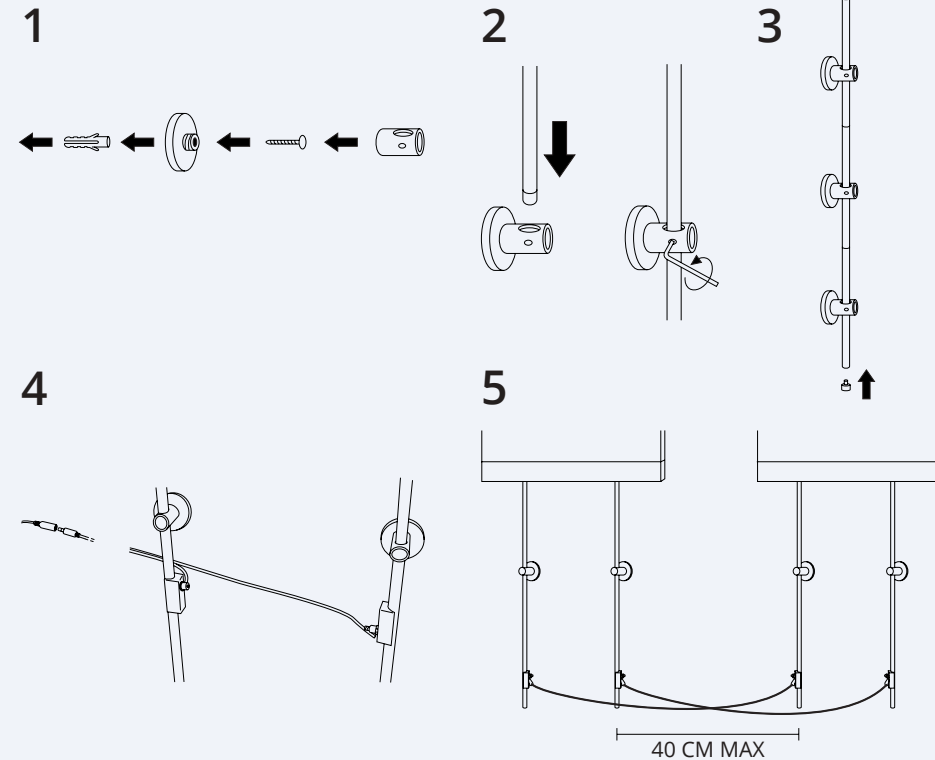
CONTENT


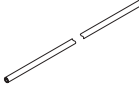

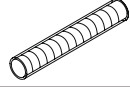
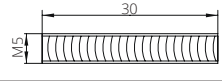

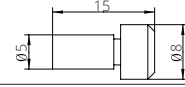

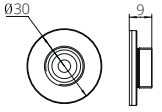

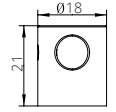

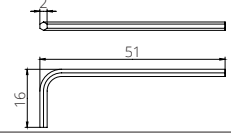
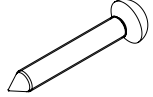
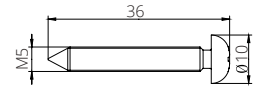
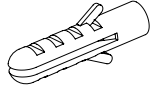
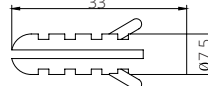
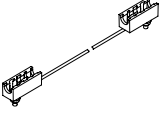
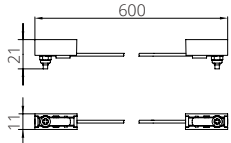
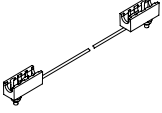
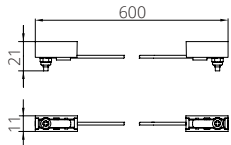

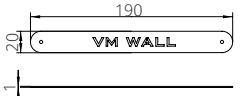


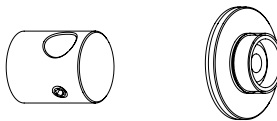
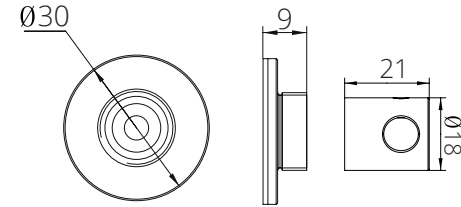
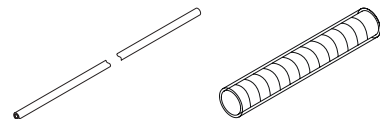
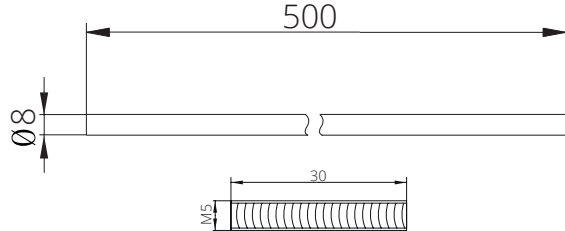

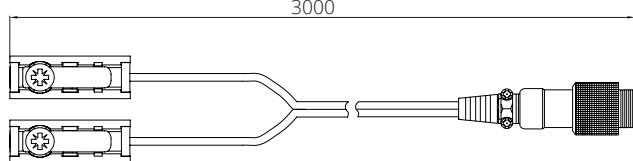
DIMENSIONS


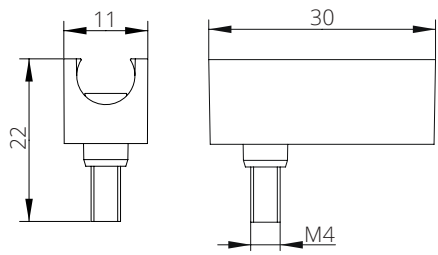

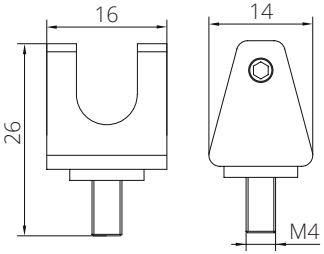


INSTALLATION STEPS



1080216001		WALL		
Content		Rendering	3D Wireframe	2D Dimension (mm)
x6	aluminum rod			
x4	treaded rod			
x2	end cap			
x6	insulated base plate			
x6	pin for rod			
x1	allen key S2			
x6	screw			
x6	dowel			
x1	positive extension cable			
x1	negative extension cable			
x1	jig			

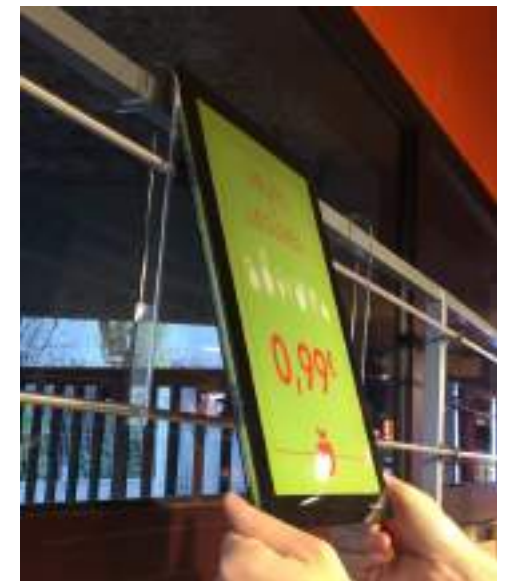
Reference	Product	Color	Picture	Drawing
1080216004	PAIR OF VM WALL ROD FIXTURE	Chrome	<p>x2 x2</p> 	
1080216004	PAIR OF RODS ALU	Aluminium	<p>x2 x2</p> 	
1080216002	VM WALL POWER CORD 300CM	White		

Reference	Product	Color	Compatibility	Picture	Drawing
1050316004	4 VM TWO CLIP BAR CLIPS	Black	All VM Two Clip All VM Light & Play		
1054816001	4 VM TWO CLIP SECURE FIX	Chrome	VM Two Clip A4, A3, A2		











To install VM Light & Play on the wall

VITRINEMEDIA

FOLLOW-US!



50, Route de la Reine, 92100 Boulogne-Billancourt - 01 49 21 00 61 - contact@vitrinemia.com

www.vitrinemia.com